

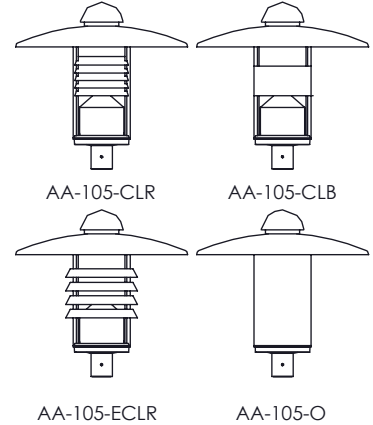
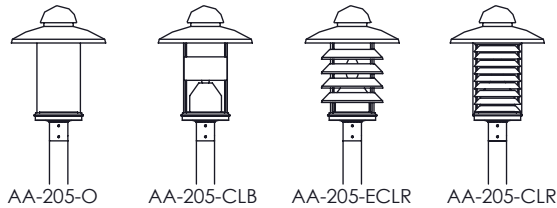
PHILIPS

100 Craftway Dr.
Littlestown, Pennsylvania 17340-0128
Phone: (717) 359-7131

INSTALLATION INSTRUCTIONS: AA - 105/205

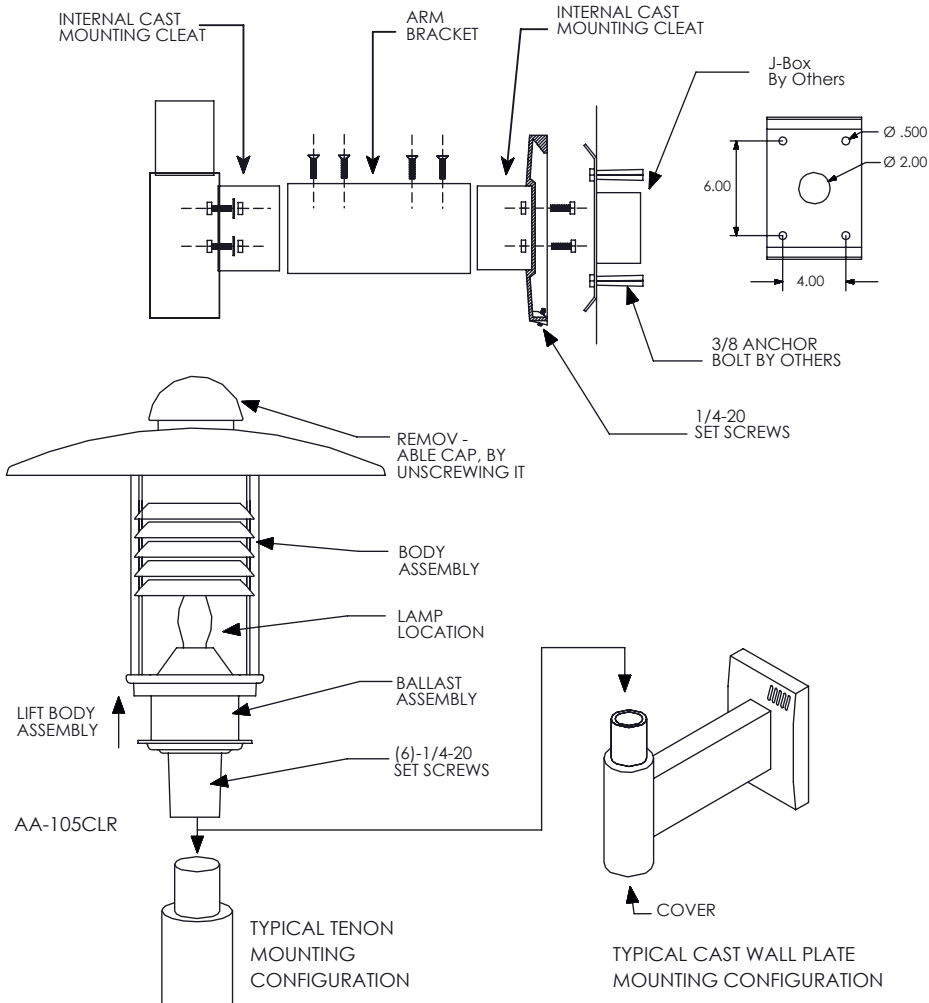
Safety, Warnings and Suggestions

- Care** should be taken not to position fixtures in locations where bare skin can come into contact with the potentially high temperatures on the lens.
- Avoid** installing fixtures in locations where water collects and stands for prolonged periods.
- Make** sure that electrical power is disconnected before any work is performed.
- All** gaskets and sealing surfaces must be kept clean during installation.
- All** wiring and installation should meet local, state and national electrical codes.
- Install** correct lamp type and wattage.



CAST WALL PLATE INSTALLATION DETAIL

AA-105 USED FOR EXAMPLE



1. (POST TOP INSTALLATION)

Remove the fixture from the box. Loosen (6)-1/4-20 set screws from tenon filler. Mount the fixture to the tenon on the pole or wall bracket. Make power and ground connections using UL approved connectors at the pole or tenon. Orient the fixture as desired and tighten all the set screws.

2. (CAST BRACKET INSTALLATION)

Remove the fixture from the box and remove the wall plate by loosening (2)-1/4-20 set screws from the bottom of the cast cover. Secure the wall plate to the wall with (4)-3/8 bolts or anchor bolts (hardware by others). (See step 3) Reinstall the unit by mounting it over the wall plate and retightening the set screws at the bottom of the cast bracket.

3. Make power and ground connections using UL approved connectors at the J-box (J-box by others).

4. Access the lamp by loosening (3) 10-24 cap screws from the bottom of the ballast assembly. Lift the body assembly as shown. Install the correct lamp and reinstall the body assembly. Retighten the cap screws.

