

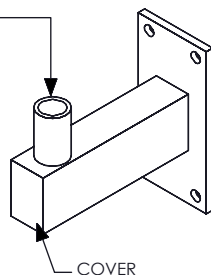
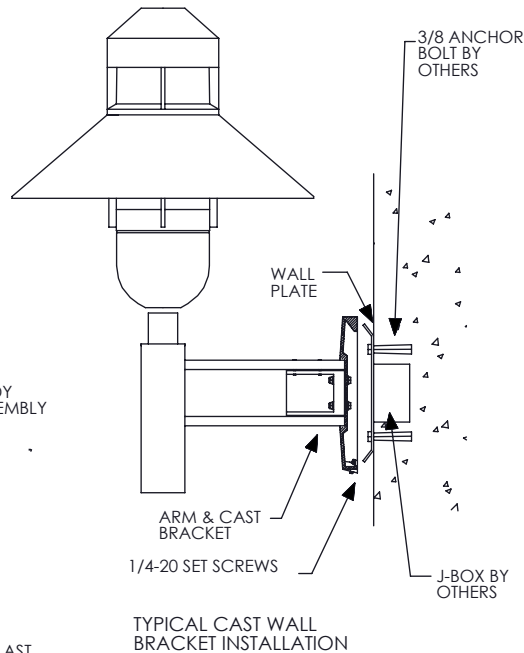
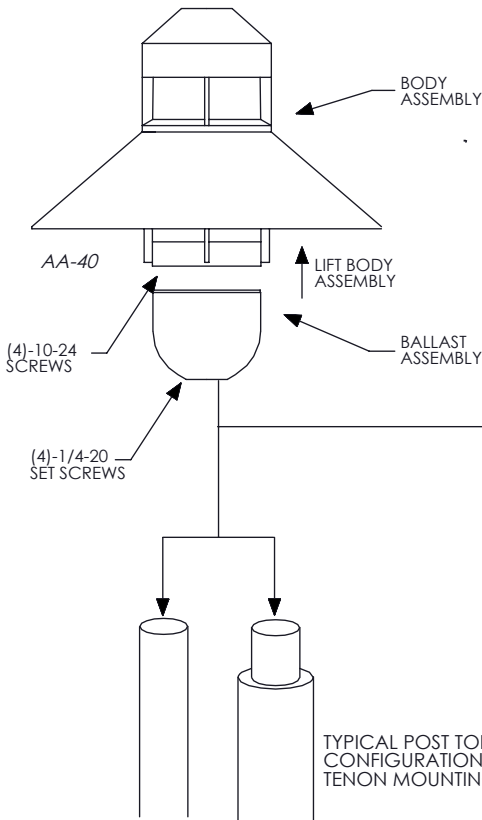
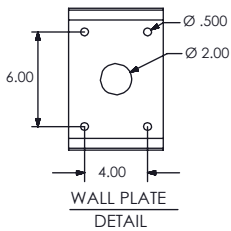
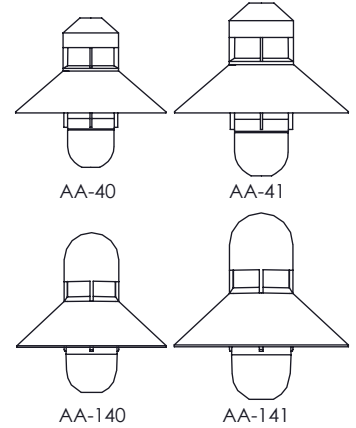
# PHILIPS

100 Craftway Dr.  
Littlestown, Pennsylvania 17340-0128  
Phone: (717) 359-7131

## INSTALLATION INSTRUCTIONS: AA- 40/140, 41/141

### Safety, Warnings and Suggestions

- 1 *Care* should be taken not to position fixtures in locations where bare skin can come into contact with the potentially high temperatures on the lens.
- 2 *Avoid* installing fixtures in locations where water collects and stands for prolonged periods.
- 3 *Make* sure that electrical power is disconnected before any work is performed.
- 4 *All* gaskets and sealing surfaces must be kept clean during installation.
- 5 *All* wiring and installation should meet local, state and national electrical codes.
- 6 *Install* correct lamp type and wattage.



TYPICAL POST TOP  
CONFIGURATION TO POLE OR  
TENON MOUNTING OPTION

TYPICAL WALL  
MOUNTING  
CONFIGURATION

1. (POST TOP INSTALLATION)  
Remove the fixture from the box. Loosen (4)-1/4-20 set screws from ballast housing. Mount the fixture to the pole or tenon (See step 3). Orient the fixture as desired and tighten all the set screws.  
1-A. Remove the body assembly by removing (4)-10-24 flat Phillips screws. Carefully lift the body assembly and set aside. Install the correct lamp, reinstall the body assembly and tighten the 4-screws.

2. (CAST BRACKET INSTALLATION)  
Remove the fixture from the box. Loosen (4)-1/4-20 set screws from the ballast housing. Remove the wall plate from the arm assembly by loosening (2)-1/4-20 set screws from the bottom of the cast cover. Secure the wall plate to the wall with (4)-3/8 bolts or anchor bolts (hardware by others). (See step 3) Reinstall the arm assembly by mounting it over the wall plate and retightening the set screws at the bottom of the cast bracket. Mount the fixture to the tenon (See step 3). Orient the fixture as desired and tighten all the set screws.  
2-A. Remove the body assembly by removing (4)-10-24 flat Phillips screws. Carefully lift the body assembly and set aside. Install the correct lamp, reinstall the body assembly and tighten the 4-screws.

3. Make power and ground connections using UL approved connectors at the pole, splice connection or J-box (J-box by others).

