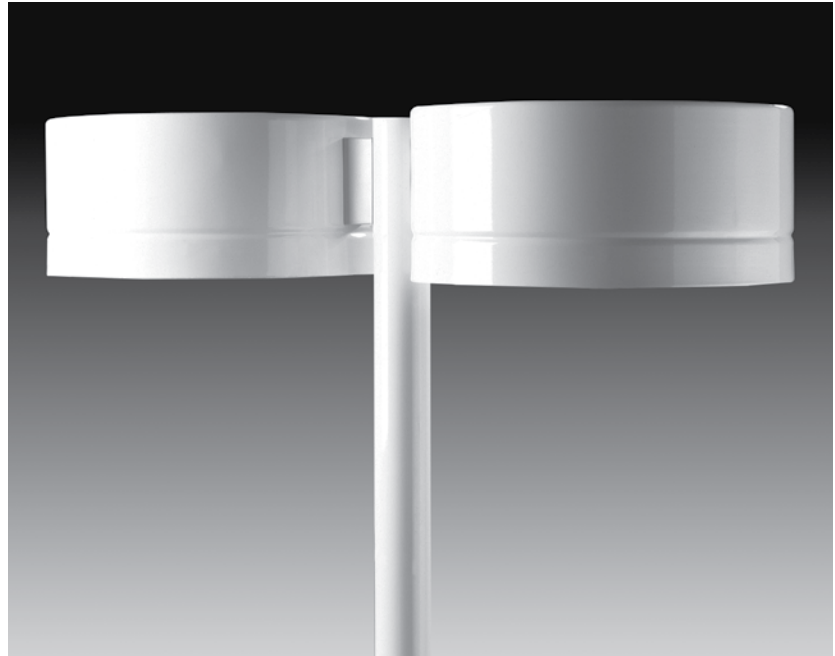


- Parking Areas**
- Roadway**
- Pedestrian Walkways**
- Large Areas**



## Specifications



**Certifications** The fixture shall be ETL and CETL listed for wet location.

**Light Distribution** The AL-18 luminaire shall meet the specified light distribution and footcandle levels with an internal optical system and horizontal lamping.

**Assembly** The fixture shall be factory pre-wired, completely assembled and tested prior to shipment. Each AL-18 shall be provided with an aluminum 9" long arm for all mounting configurations.

**Housing** Luminaire body shall be one piece, heavy gauge, anodizing quality spun aluminum.

**Door Frame Assembly** Cast aluminum door frame shall be furnished with fully tempered clear glass lens, thermal and shock resistant and shall be hinged to the housing with twin stainless steel piano hinges. White dacron open cell gasket prevents entry of moisture, dust and insects. All external hardware to be stainless steel.

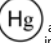
**Ballast** Ballast shall be readily accessible, removable and insulated. The fixture is to be factory pre-wired and electronically tested before shipment. Quick disconnects are standard.

**Optical Assembly** The optical assembly shall be of all non-ferrous components with a multi faceted highly reflective specular finished reflector providing full cutoff. The AL-18 reflector is rotatable to any angle.

**Finish** BK-BZ-WH-GY-GR-NA are thermoset polyester powdercoat. VR finish is hand-rubbed over a black thermoset polyester powdercoat. Custom color available upon request.

**Mounting Details** AL-18-SH4 Bracket externally slip-fits 2 3/8" O.D. tenons with 4" square fitter. AL-18-RH4 Bracket externally slip-fits 2 3/8" O.D. tenons with 4" round fitter. AL-18-BC denotes aluminum arm finished with hardware for direct mounting to side of pole. Luminaire shall be pre-wired with high temperature wire.

<b>PROJECT</b>
<b>FIXTURE TYPE</b>
<b>CATALOG#</b>

 Some luminaires use fluorescent or high intensity discharge (HID) lamps that contain small amounts of mercury. Such lamps are labeled "Contains Mercury" and/or with the symbol "Hg." Lamps that contain mercury must be disposed of in accordance with local requirements. Information regarding lamp recycling and disposal can be found at [www.lamprecycle.org](http://www.lamprecycle.org)

## Product Order Guide

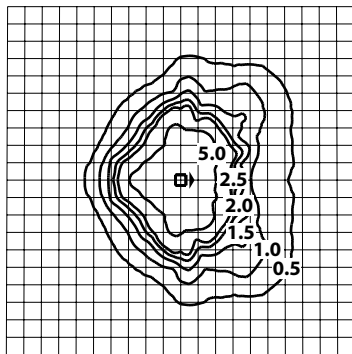
Series	Mounting Type	Max Watts	Lamp Type	Voltage <sup>1</sup>	Reflector Type	Finish <sup>1</sup>	Options
AL-18-20	BC9	100 MHP	E17 <sup>2</sup>	120	I	BZ Bronze	F Fusing
	CWB	150 MHP	E17 <sup>2</sup>	208	II	BK Black	FF Double Fusing
	SH4	100 HPS	E17 <sup>2</sup>	240	III	WH White	PCR Photo Control Receptacle only for Twist-Lock Eye
	RH4	150 HPS	E17 <sup>2</sup>	277	V	GR Green	PSV Pole Side Visor (External)
AL-18-25		250 MHP	E28	480	F	VR Verde	QS Quartz Standby
		320 MHP	ED37			GY Gray	FF480 Double Fusing 480V
		250 HPS	ED18			NA Natural Alum	HSS House Side Shield (internal)
		400 HPS	ED18			CC Custom Color	CWB Cast Wall Bracket
							SH4 4" Square Hub for 2 3/8" O.D. Tenon
							RH4 4" Dia. Round Hub for 2 3/8" O.D. Tenon

<sup>1</sup> Consult factory for other colors and voltages.  
<sup>2</sup> Lamps 150 W and below are medium base.

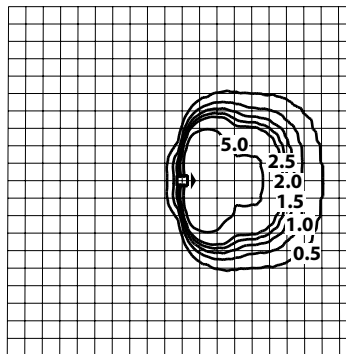
## Example: AL-18-25-BC-400HPS-ED18-120-III-BK

## Photometric Data

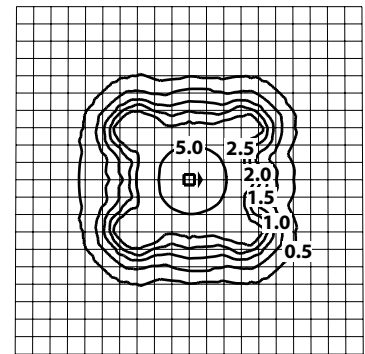
AL-18-400HPS-type III  
 50000 Initial Lumens  
 24.0 ft. Mounting Height  
 10.0 ft. grid, Value in footcandles



AL-18-400HPS-type F  
 50000 Initial Lumens  
 24.0 ft. Mounting Height  
 10.0 ft. grid, Value in footcandles

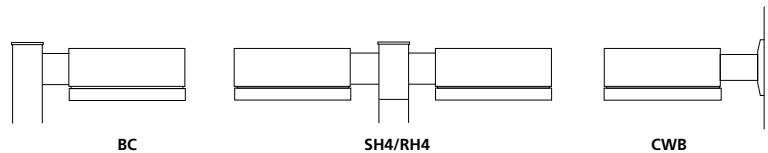


AL-18-400HPS-type V  
 50000 Initial Lumens  
 24.0 ft. Mounting Height  
 10.0 ft. grid, Value in footcandles



## Mounting Type

- BC9 Concealed Hardware Mounting Arm 9" long
- CWB Cast Wall Bracket
- SH4 4" Square Hub Mounting for 2-3/8" Tenon
- RH4 4" Dia. Round Hub Mounting for 2-3/8" Tenon



## Luminaire Dimensions

Luminaire	A		B		Weight		EPA
	inch	mm	inch	mm	lbs.	kg	
AL-18-20	20.0	508	10.5	266	36	16.3	1.40
AL-18-25	25.0	635	11.0	279	59	26.7	2.00

