

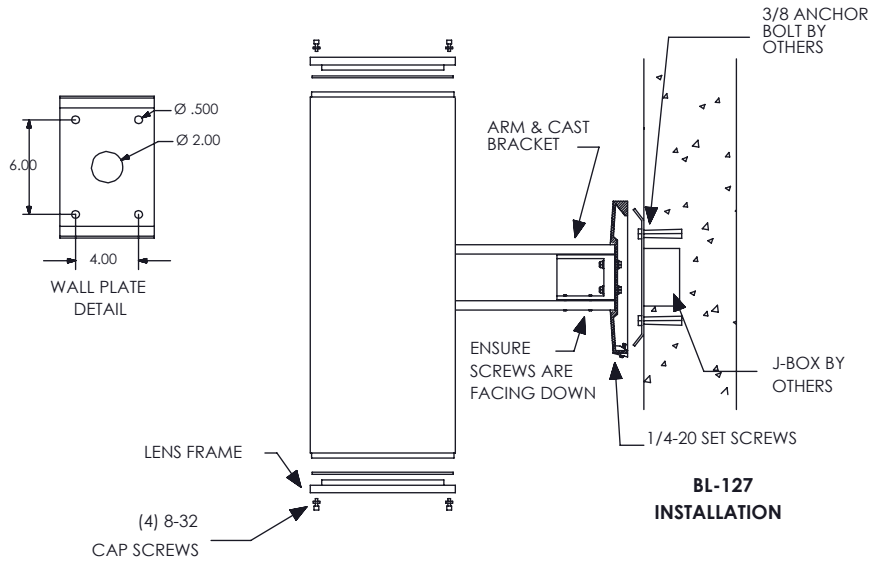
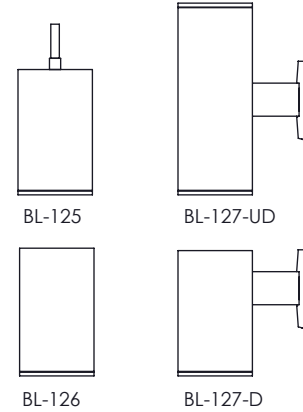
PHILIPS

100 Craftway Dr.
Littlestown, Pennsylvania 17340-0128
Phone: (717) 359-7131

INSTALLATION INSTRUCTIONS: BL-125/126/127-D/127-UD

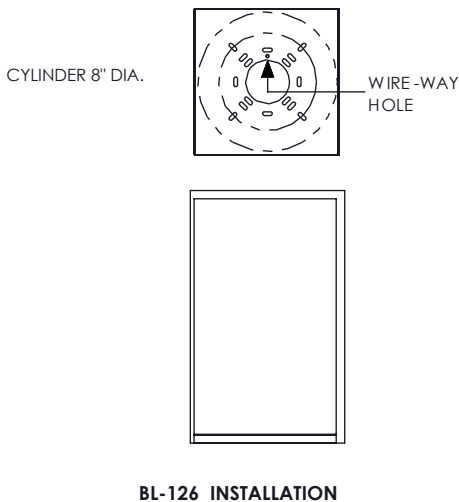
Safety, Warnings and Suggestions

- Care** should be taken not to position fixtures in locations where bare skin can come into contact with the potentially high temperatures on the lens.
- Make** sure that electrical power is disconnected before any work is performed.
- All** gaskets and sealing surfaces must be kept clean during installation.
- All** wiring and installation should meet local, state and national electrical codes.
- Install** correct lamp type and wattage.

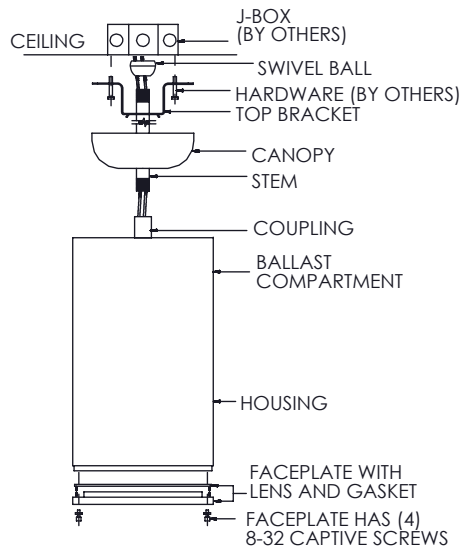


1. (BL-127 CAST BRACKET INSTALLATION)
Remove the fixture from the box and remove the wall plate by loosening (2)-1/4-20 set screws from the bottom of the cast cover. Secure the wall plate to the wall with (4)-3/8 bolts or anchor bolts (hardware by others). Reinstall the unit by mounting it over the wall plate and retightening the bottom set screws.

1. (BL-125 PENDANT INSTALLATION)
Remove the fixture from the box. Secure the canopy assembly to the junction box. Run the wiring through the stem and thread the stem to the coupling on top of the fixture and tighten the set screw on the coupling. Mount the assembled stem and fixture over the canopy hook bracket. Make power and ground connection using UL approved connectors inside the J-box. Secure the canopy cover to the top bracket.



BL-126 INSTALLATION



BL-125 INSTALLATION

1. (BL-126 SURFACE INSTALLATION)
Remove the fixture from the box. Remove lens frame assembly, lamp/reflector assembly and ballast assembly. Make power and ground connection using UL approved connectors inside the J-box. Secure the fixture to the surface using screws by others. Reinstall the ballast, lamp/reflector and lens frame assemblies.

2. (LAMP INSTALLATION)
Access the lamp by loosening (4)-8-32 captive cap screws. Remove the cover and install the proper lamp. Reinstall the cover and re-tighten the 8-32 captive cap screws.

