

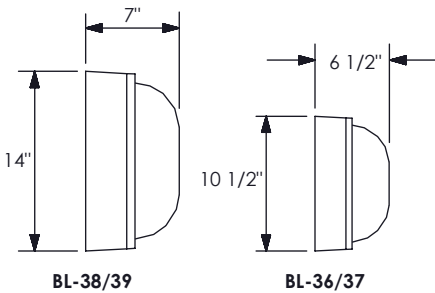
PHILIPS

100 Craftway Dr.
Littlestown, Pennsylvania 17340-0128
Phone: (717) 359-7131

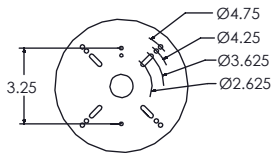
INSTALLATION INSTRUCTIONS BL-35/36/37/38/39

Safety, Warnings and Suggestions

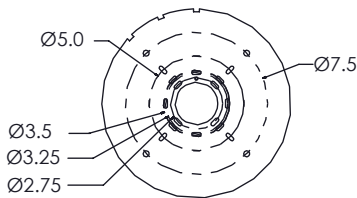
- Care** should be taken not to position fixtures in locations where bare skin can come into contact with the potentially high temperatures on the lens.
- Make** sure that electrical power is disconnected before any work is performed.
- All** gaskets and sealing surfaces must be kept clean during installation.
- All** wiring and installation should meet local, state and national electrical codes.
- Install** correct lamp type and wattage.



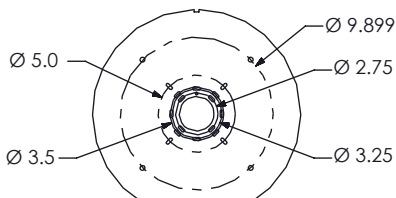
TYPICAL FIXTURE DIMENSIONS



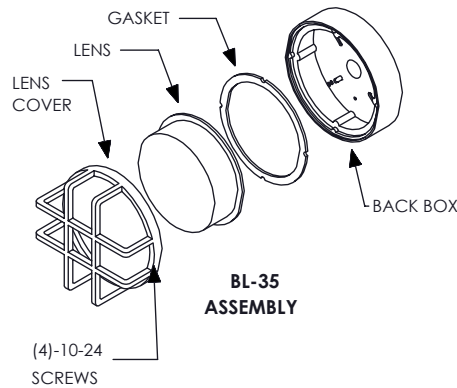
BL-35
MOUNTING DETAIL



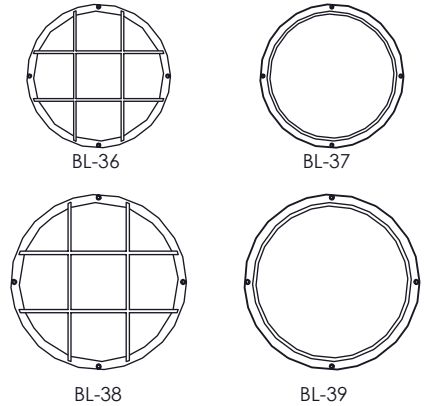
BL-36/37
MOUNTING DETAIL



BL-38/39
MOUNTING DETAIL

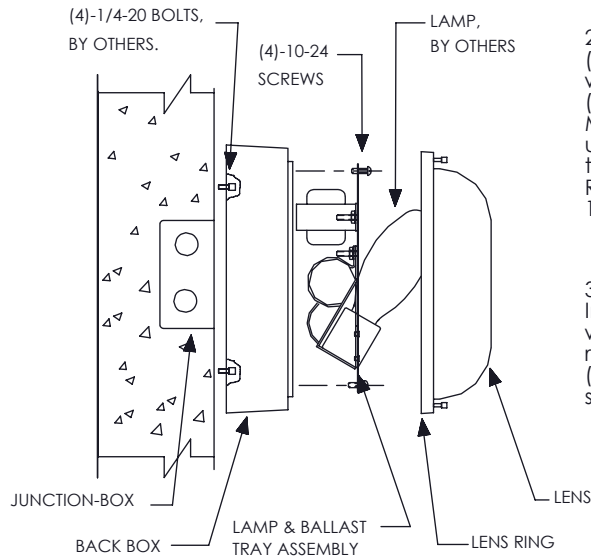


BL-35
ASSEMBLY



1. Remove the fixture from the box. Remove the lens and lens ring by loosening (4)-10-24 cap screws. Remove the ballast tray assembly by loosening (4)-10-24 screws.

- 1A. (BL-35 ONLY)
Remove the fixture from the box. Remove the lens and lens ring by loosening (4)-8-32 Phillips head screws. Remove the ballast tray assembly by loosening (3)-10-24 screws.



TYPICAL WALL INSTALLATION

2. Secure the back box to the wall with (4)-1/4-20 bolts or to the junction box with 8-32 screws, hardware by others. (BL-35 use 8-32 screws as required) Make power and ground connection using UL approved connectors at the Junction-box (J-box by others), Reinstall the ballast tray with the (4)-10-24 screws provided.

3. (LAMP INSTALLATION)
Install the correct lamp type and wattage. Reinstall the lens and lens ring. Tighten the (4)-10-24 cap screws, (for the BL-35 use the Phillips head screws).

