

Specification Grade

Landscape Accent

Facade Lighting

Sign Accent

Building Accent

Wall Wash

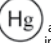


Specifications



- Certifications** ETL and cETL listed to U.S. and Canadian safety stands for wet locations
- Fixture Housing** Single piece extruded aluminum with aluminum glare shield and round die-cast, aluminum end caps.
- Lens/Lens Frame** Lens is 1/8" tempered glass. Lens bracket is one-piece aluminum extrusion. Integral hinge pivots lens bracket down for easy removal of the lens and relamping.
- Reflector** Formed hammertone aluminum.
- Lamp Holder** Fluorescent lampholders are high temperature plastic.
- Ballast** Ballasts for 13W fluorescent are normal power factor core and coil. Ballasts for 26W and 32W are high power factor electronic.
- Options** Single stanchion mount, cylindrical J-box, cylindrical J-box with button photocell, single and twin post top mount, canopy and wall mount.
- Mounting Detail** The FL-12 Knuckle is field adjustable up to 60° back tilt. Swivel arm with locking teeth provides adjustment by tightening one stainless steel recessed screw. Swivel arms include 1/2" N.P.T. male thread for mounting.
- Finish** BK-BZ-WH are thermoset polyester powder coat. VR finish is hand-rubbed over a black thermoset polyester powder coat. Custom color available upon request.
- Warning** Fixtures aimed downward must be protected from rain and sprinklers.

PROJECT
FIXTURE TYPE
CATALOG#

 Some luminaires use fluorescent or high intensity discharge (HID) lamps that contain small amounts of mercury. Such lamps are labeled "Contains Mercury" and/or with the symbol "Hg." Lamps that contain mercury must be disposed of in accordance with local requirements. Information regarding lamp recycling and disposal can be found at www.lamprecycle.org

Product Order Guide

Series	Mounting Type	Max Watts	Lamp Type	Min Start Temp.	Voltage	Finish ²	Options
FL-12	K	(2)13 CF	CF ¹	32°F	120	BK Black	JBC Junction box cylindrical
		(2)26 CF	CF ¹	-20°F	277	BZ Bronze	JBCP1 Junction box cylindrical
		(2)32 CF	CF ¹	-20°F		WH White	120V button photocell
						VR Verde	JBCP2 Junction box cylindrical
						CC Custom Color	277V button photocell
							WCM Wall or canopy mount
							PTS Post top mount single
							PTD Post top mount double
							PTA3 Post top mount
							3" O.D. pole
							SM18 Stanchion mount 18"

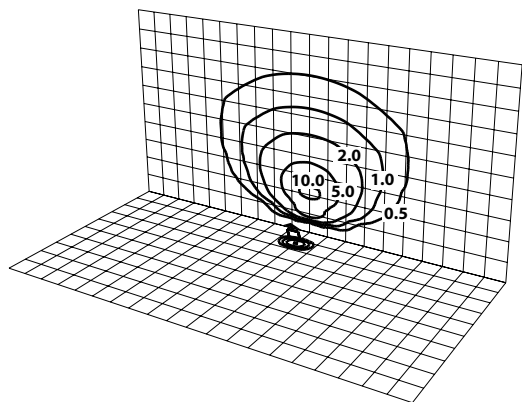
1 Compact fluorescent lamp base options: 13W CF-GX23, 26W CF-GX24Q-3, 32W CF-GX24Q-3.

2 Consult factory for other colors and voltages.

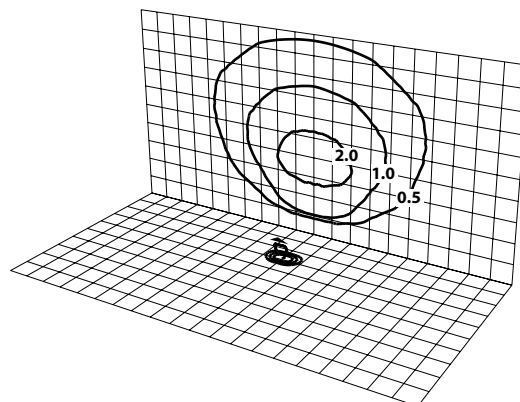
Example: FL-12-K-26CF-CF-120-BK-JBC

Photometric Data

FL-12-32CF
2200 Initial Lumens
1.0 ft. Mounting Height, 3 ft. back, 20° tilt
2.0 ft. grid, Value in footcandles

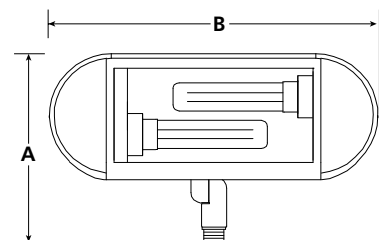
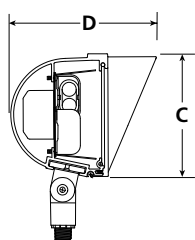


FL-12-32CF
2200 Initial Lumens
1.0 ft. Mounting Height, 4 ft. back, 20° tilt
2.0 ft. grid, Value in footcandles

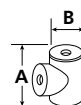


Luminaire Dimensions

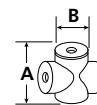
Luminaire	A		B		C		D		Weight	
	Inch	mm	Inch	mm	Inch	mm	Inch	mm	lbs.	kg
FL-12	9.00	229	17.75	451	6.00	152	7.00	178	9.0	4.0
JBC	5.75	146	3.00	76	n/a	n/a	n/a	n/a	1.0	0.5
WCM	3.80	97	3.00	76	n/a	n/a	n/a	n/a	1.0	0.5
PTS	4.50	114	3.00	76	n/a	n/a	n/a	n/a	1.0	0.5
SM18	18.00	457	3.00	76	n/a	n/a	n/a	n/a	2.5	1.1



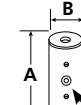
FL-12



PTS

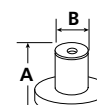


PTD



JBC

Optional Photocell



WCM



SM18