

Safety, Warnings and Suggestions

- ¹ *Care* should be taken not to position fixtures in locations where bare skin can come into contact with the potentially high temperatures on the lens.
- ² *Avoid* installing fixtures in locations where water collects and stands for prolonged periods.
- ³ *Make* sure that electrical power is disconnected before any work is performed.
- ⁴ *All* gaskets and sealing surfaces must be kept clean during installation.
- ⁵ *All* wiring and installation should meet local, state and national electrical codes.
- ⁶ *Install* correct lamp type and wattage.

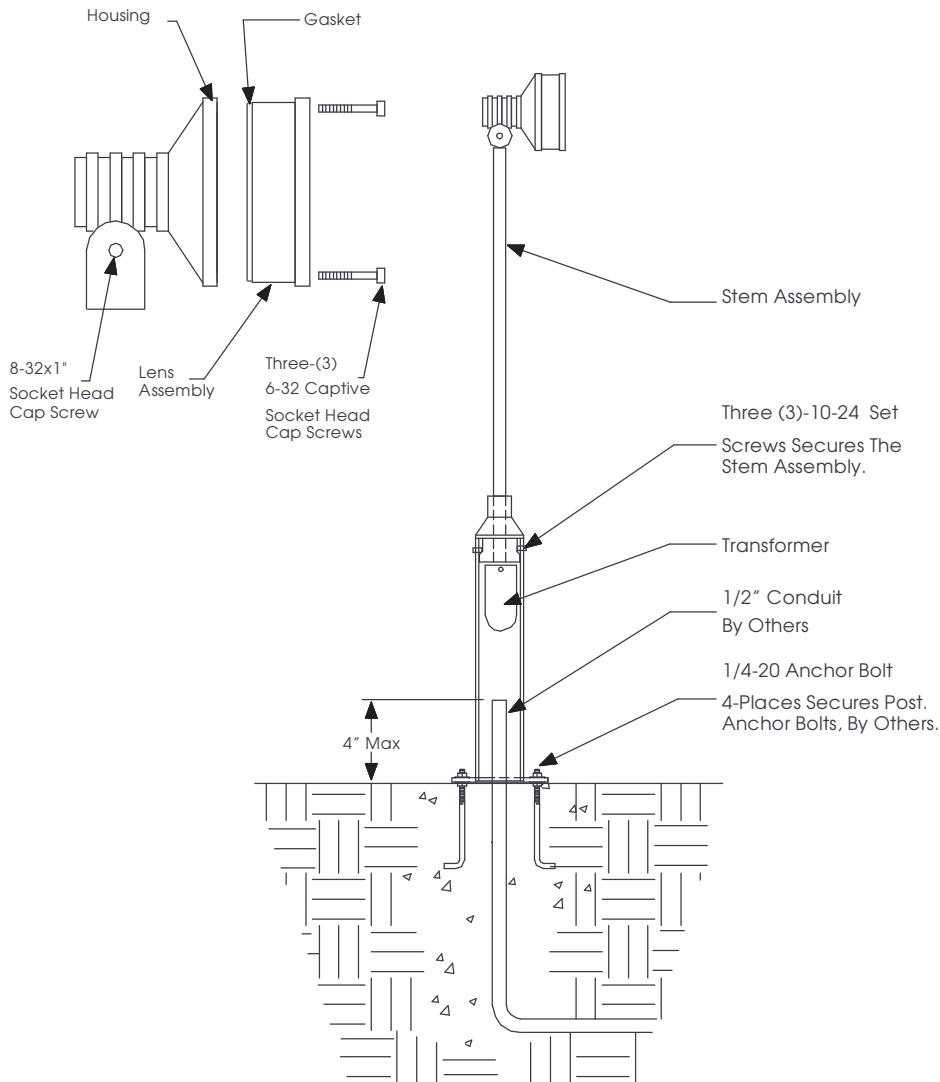
1. Prepare the site with adequate excavation and install the anchor bolts as per factory supplied template.

2. Remove the complete unit from package box and remove the stem assembly, by loosening (3)-10-24 set screws. Install post assembly to the anchor bolts and level.

3. The stem assembly is ready to be connected to the incoming power. Make power and ground connection inside the post using UL approved connectors. Contractor to supply waterproof wire nuts. Re-tighten the (3)-10-24 set screws.

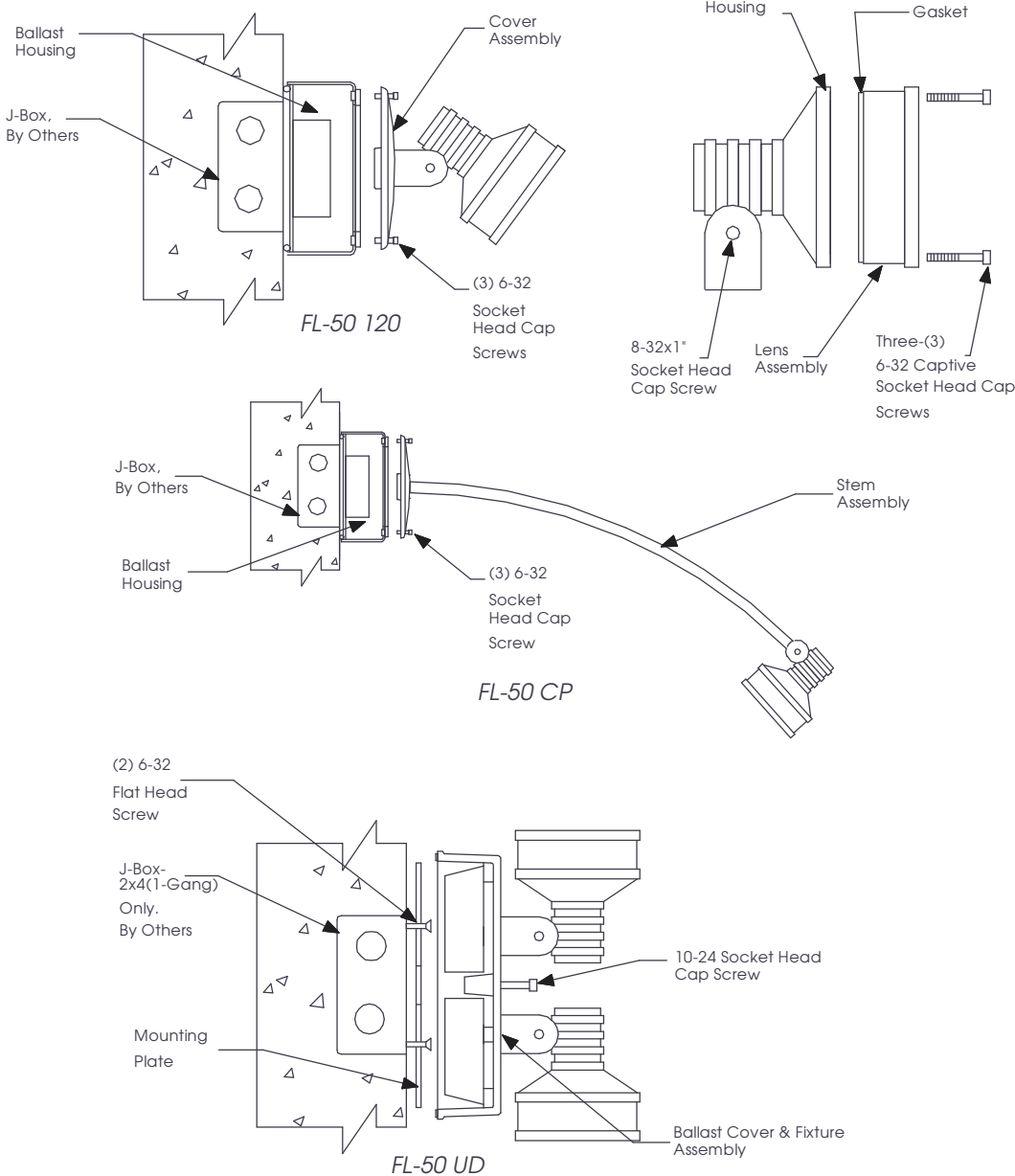
4. Remove the lens assembly by loosening (3)-6-32 captive socket head cap screws. Install the correct lamp type and wattage.

5. Re-install the lens assembly and make sure that the gasket is properly seated before tightening. Tighten the screws manually using multiple tightening steps.



Safety, Warnings and Suggestions

- Care** should be taken not to position fixtures in locations where bare skin can come into contact with the potentially high temperatures on the lens.
- Avoid** installing fixtures in locations where water collects and stands for prolonged periods.
- Make** sure that electrical power is disconnected before any work is performed.
- All** gaskets and sealing surfaces must be kept clean during installation.
- All** wiring and installation should meet local, state and national electrical codes.
- Install** correct lamp type and wattage.



1. (SL50-120 and SL50-CP ONLY) Remove the complete unit from packaging and remove the cover assembly SL50-120/stem assembly SL50-CP, by loosening (3)-6-32 socket head cap screws and put assembly aside. Position the ballast housing over the J-box and secure with (2) 8-32 screws.

2. Make power and ground connection using UL approved connectors. Re-install the assemblies with the (3) 6-32 socket head cap screws.

3. Remove the lens cover assembly by loosening (3)-6-32 captive screws. Install the correct lamp type and wattage.

4. Re-install the lens cover assembly and make sure that the gasket is properly seated before tightening. Tighten the screws manually using multiple tightening steps.

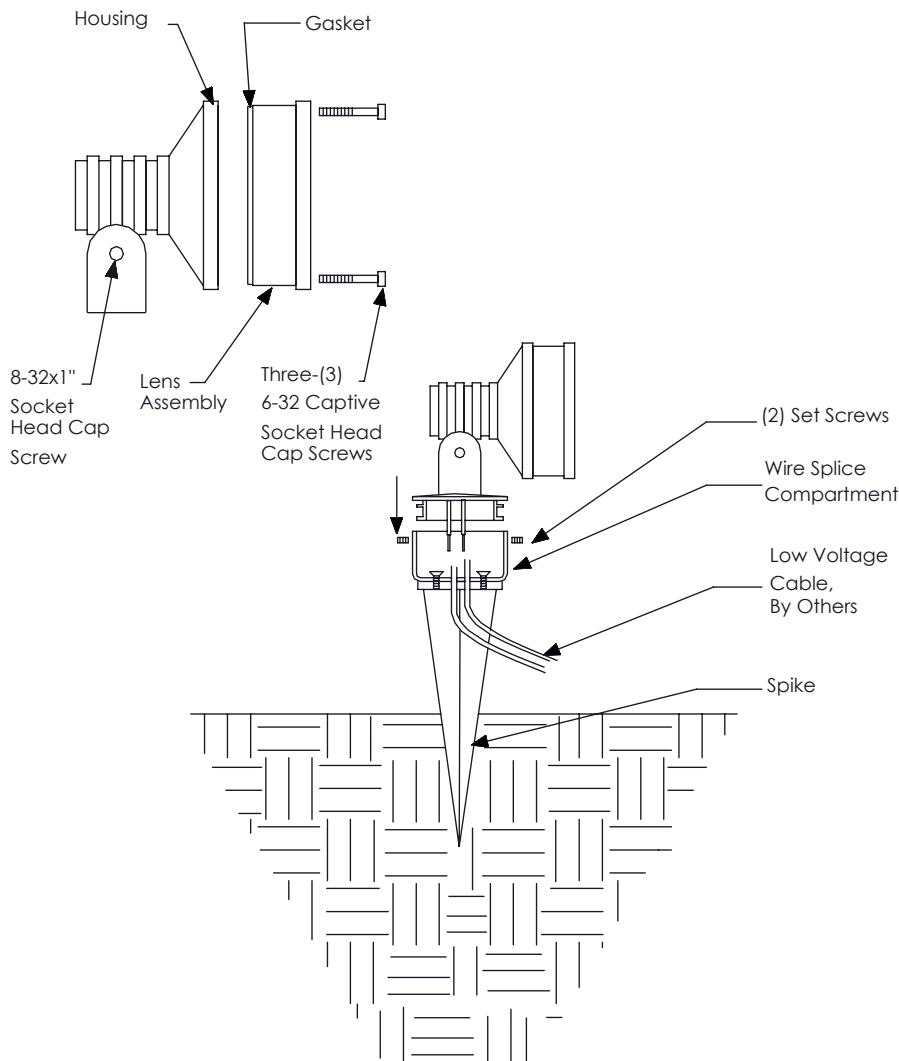
1A. (SL50-UD ONLY) Remove the complete unit from packaging and remove the ballast and fixture assembly, by loosening (2)-10-24 socket head cap screws and put assembly aside. Position the mounting plate over the J-box and secure with (2) 6-32 flat head screws.

2A. Make power and ground connection using UL approved connectors. Re-install the ballast and fixture assembly with the (2) 10-24 socket head cap screws.

3A. SEE STEPS 3 AND 4 ABOVE FOR LAMPING PROCEDURES.

Safety, Warnings and Suggestions

- ¹ *Care* should be taken not to Position fixtures in locations where bare skin can come into contact with the Potentially high temperatures on the lens.
- ² *Avoid* installing fixtures in locations where water collects and stands for prolonged periods.
- ³ *Make* sure that electrical power is disconnected before any work is performed.
- ⁴ *All* gaskets and sealing surfaces must be kept clean during installation.
- ⁵ *All* wiring and installation should meet local, state and national electrical codes.
- ⁶ *Install* correct lamp type and wattage.



1. Remove the complete unit from box and remove the head assembly, by loosening (2)-M5x8mm set screws.

2. Bring the low voltage cable up the spike and thru the wire way opening under the splice compartment, low voltage cable by others.

3. The head assembly is ready to be connected to the incoming power. Make power connection inside the splice compartment using UL approved connectors. Contractor to supply waterproof wire nuts. Re-tighten the (2)-M5 set screws

4. Remove the lens assembly by loosening (3) 6-32 captive socket head cap screws. Install the correct lamp type and wattage.

5. Re-install the lens assembly and make sure that the gasket is properly seated before tightening. Tighten the socket head cap screws manually using multiple tightening steps.

6. Install spike assembly by slowly pressing into the ground and aim.