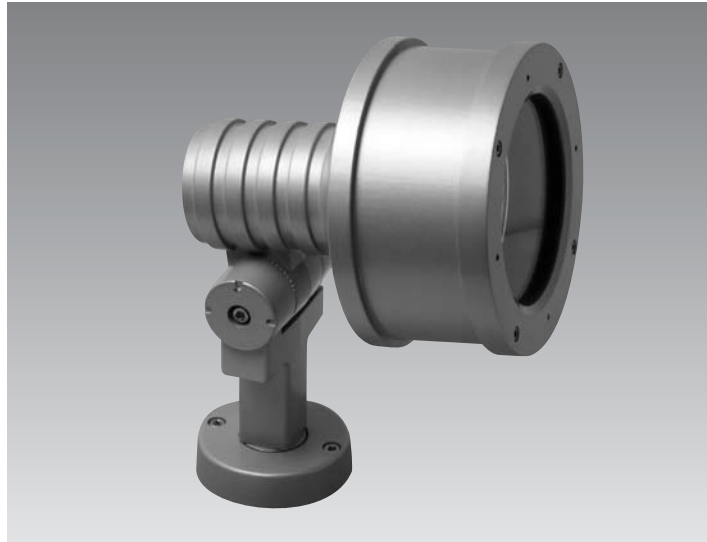


- Specification Grade**
- Sign Accent**
- Building Entrances**
- Doorways**
- Pedestrian Areas**
- Building Accent**
- Tree Lighting**
- Landscape Areas**



CIELLO

Specifications



Certifications

ETL and CETL listed for wet location and meets IP65 standard, dust-tight and water-jet proof.

Fixture Housing/Knuckle

The housing and the DK (standard) and CK (optional) knuckles are constructed of die cast aluminum castings with a minimum 1/8" thickness. Both knuckles come with 1/2" NPT threads for mounting to standard junction boxes or with an additional cast swivel for mounting to the available ballast housings. The knuckles provide 142° vertical (52° down, 90° up) and 360° horizontal adjustability.

Lens

Clear tempered 3/16" thick, sealed to lens frame with injection molded silicone gasket.

Lens Frame

Die cast aluminum minimum thickness of 1/8". Attached to fixture housing with four captive stainless steel 8-32 socket cap screws.

Adjustable Reflectors

Spun aluminum highly specular Alzak™ finish for either type SPT spot, FLD flood or MFLD medium flood for T6, T4 or BT5 lamps. All reflectors are provided with an adjustable external focusing mechanism.

Lamp Holder

Porcelain 4kv pulse rated medium base for HID and Incandescent lamp sources.

Options

Color Filter (CF), Medium Visor (MV), Snoot (SN), Linear Spread Lens (LSL), Prismatic Spread Lens (PSL), Internal Hex Cell Louver (HL), Classic Knuckle (CK).

Finish

BK-BZ-WH-GR-GY-NA thermoset polyester powder coat which is electrostatically applied and bonded by heat fusion thermosetting. CC available upon request.

Safety

Caution: Care should be taken when specifying fixtures for use in pedestrian areas to avoid problems that may be caused by high lens and fixture temperatures. Consult factory for more information.

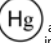
Warning

Caution: Care should be taken not to install in-ground and ground mounted fixtures in areas where water can stand for prolonged periods of time. Sufficient drainage must be provided to avoid problems. Consult factory for more information.

Warning

Caution: Care should be taken in the placement of landscape floodlights. Avoid areas where landscape maintenance equipment such as lawn mowers may come into direct contact and damage the fixture.

PROJECT
FIXTURE TYPE
CATALOG#

 Some luminaires use fluorescent or high intensity discharge (HID) lamps that contain small amounts of mercury. Such lamps are labeled "Contains Mercury" and/or with the symbol "Hg." Lamps that contain mercury must be disposed of in accordance with local requirements. Information regarding lamp recycling and disposal can be found at www.lamprecycle.org

Product Order Guide

Series	Max Watts	Lamp Type	Voltage ¹	Optics	Finish ²	Options
FL-51	32CFT ^{4,8}	CFT	120	SPT (T6/T4/BT5)	BK Black	LSL Linear Spread Lens
			208	FLD (T6/T4/BT5)	BZ Bronze	PSL Prismatic Spread Lens
			240	MFLD (T6/T4/BT5)	WH White	SN ⁷ Snoot
			277	FLD 6H6V (CFT)	GR Green	MV ⁷ Medium Visor
	20MH ^{4,8} 39MH ^{4,8} 35MH ^{4,8} 70MH ⁴ 70MH ⁴ 70MH ⁴	BT5			NA Natl Aluminum	GF Glass Color Filter
		PAR20			GY Gray	HL Internal Hex Cell Louver
		R111			CC Custom Color	DK ⁶ Designer Knuckle
		T6				CK Classic Knuckle
		T4				JBS ³ Junction Box Square
		PAR30				JBR ^{5,3} Junction Box Round
	50INC	PAR20	120			JBR ^{TM3} Tree Mount Junction Box
	50INC	AR111	120			STN ^{M3} Stanchion Mount
	75INC	PAR30	120			LP ³ Plastic Post
	75INC	MR16	120/277/12			CBH Composite Ballast Housing
100INC	T4mini	120			RCBH Remote CBH	
					RWMS ⁵ Remote WMS	
					WMR ⁸ Wall Mount Recessed	
					WMS ^{5,8} Wall Mount Surface	
					EEBH ⁵ Electronic Elliptical Ballast Housing	
					UD Up/Down Mount	
					SP Straight Post	
					CP Curved Post	
					SA Straight Arm	
					CA Curved Arm	
					LV Low Voltage	

¹ Consult factory for other voltages.

² Consult factory for other finishes. Powder coat paint standard.

³ Remote ballast required.

⁴ Requires ballast enclosure.

⁵ Specify Junction Box Mounting or Surface Conduit Connection.

⁶ The Designer Knuckle (DK) is provided as standard.

⁷ Care should be taken if these options are used in an up aiming orientation as debris can collect inside and obstruct the light and cause thermal problems. Consult factory for more information.

⁸ A smaller version of the WMR and WMS is available for 39W HID and below on request.

CF=single biax, CFQ = double biax, CFT = triple biax

Example: FL-51-70MH-T6-277-SPT-BK-CBH

Luminaire Dimensions

Luminaire	A		B		C		D		E		F		G		Weight	
	Inch	mm	Inch	mm	Inch	mm	Inch	mm	Inch	mm	Inch	mm	Inch	mm	lbs.	kg
FL-51	7.60	193	6.50	165	10.28	261									7.00	3.2
FL-51-CBH	7.60	193	6.50	165	10.28	261	12.00	305							15.00	6.8
FL-51-CBH-MV	13.13	336	6.50	165	10.28	261	12.00	305							16.00	7.3
FL-51-CBH-SN	14.13	359	6.50	165	10.28	261	12.00	305							16.0	7.3
WMS/WMR (up to 39W)									6.38	162			3.50	89	12.50	5.7
WMS/WMR (up to 70W)									9.00	228			5.00	127	12.50	5.7
EEBH									5.54	141	8.00	204	2.55	65	7.00	3.1
FL-51-UD	16.25	413			10.28	261			10.38	264	6.00	152	3.50	89	24.00	10.9

