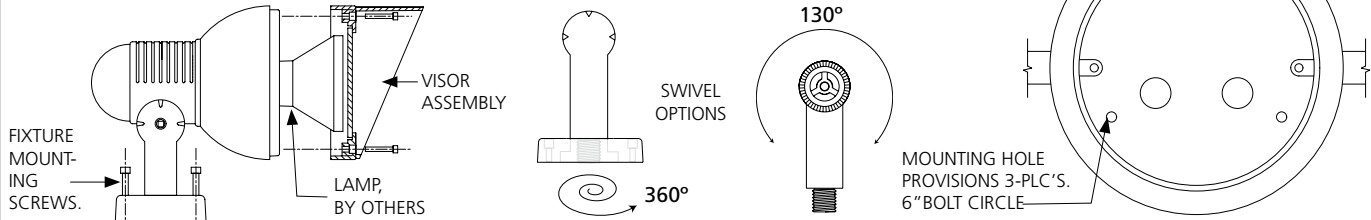


INSTALLATION SHEET

Safety, Warnings and Suggestions

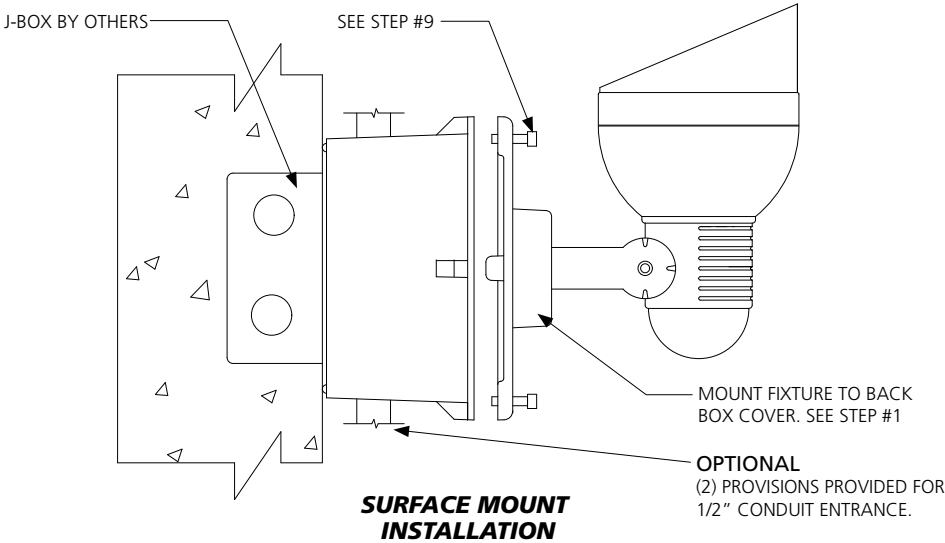
- ¹ Care should be taken not to position fixtures in locations where bare skin can come into contact with the potentially high temperatures on the lens.
 - ² **Avoid** installing fixtures in locations where water collects and stands for prolonged periods.
 - ³ **Make** sure that electrical power is disconnected before any work is performed.
 - ⁴ **All** wiring and installation should meet local, state and national electrical codes.
- Note: FL-63 supplied with 1/2" NPT nipple only if no swivel required.



P#32A38662

© 2005 - 2009 ALLSCAPE. All rights reserved.
 ALLSCAPE is a registered trademark of Philips.

Due to a program of continuous improvement, ALLSCAPE reserves the right to make any variation in design or construction to the equipment described.



SURFACE MOUNT INSTALLATION

1. Remove fixture from package and mount to the BACK BOX COVER with (2)-1/4-20 cap head screws provided with the fixture.

2. Remove the visor/lens assembly by unscrewing (4) 8-32 socket head cap screws. Make sure all hardware is carefully saved until needed.

3. Install the correct lamp type and wattage.

4. Re-install the visor/lens assembly and hand tighten the four (4) 8-32 socket head cap screws to 10 in/lbs. max.

5. Position the box on the mounting surface area and secure to surface with three-1/4-20 bolts, bolts by others. (SURFACE MOUNT ONLY).

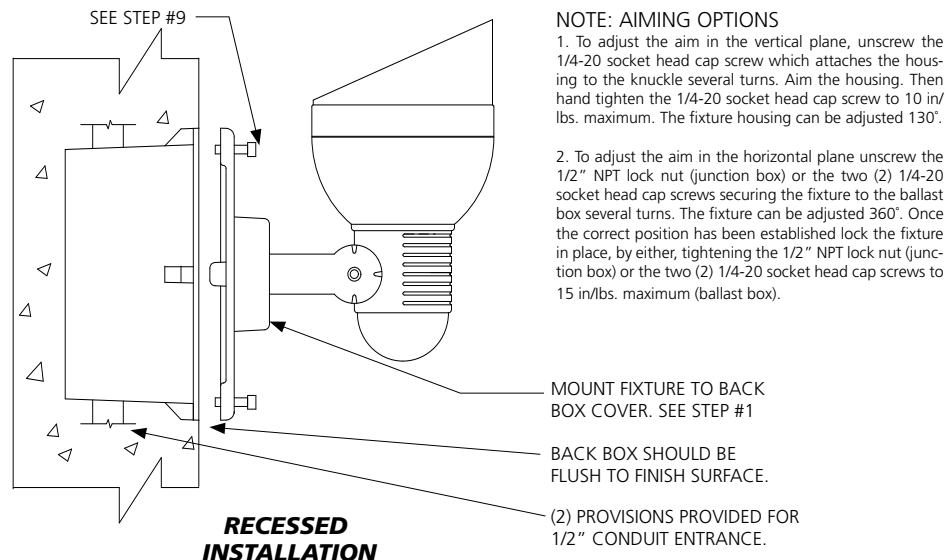
5A. Connect the conduit to the provisions on the back box. See installation details. (RECESSED ONLY)

6. Once the conduit has been connected, Secure back box to wall opening or any mounting provisions being used to hold box in place. Make sure that back box is flush to the finish surface level.

7. After all preparations to wall have been finished, carefully clean out any dirt left inside of the back box. (RECESSED ONLY)

8. Carefully make all necessary connections using UL listed connectors.

9. Install the back box cover with the fixture mounted to it with four-(4) 10-24 socket head cap screws provided with the fixture.



RECESSED INSTALLATION

NOTE: AIMING OPTIONS

1. To adjust the aim in the vertical plane, unscrew the 1/4-20 socket head cap screw which attaches the housing to the knuckle several turns. Aim the housing. Then hand tighten the 1/4-20 socket head cap screw to 10 in/lbs. maximum. The fixture housing can be adjusted 130°.
2. To adjust the aim in the horizontal plane unscrew the 1/2" NPT lock nut (junction box) or the two (2) 1/4-20 socket head cap screws securing the fixture to the ballast box several turns. The fixture can be adjusted 360°. Once the correct position has been established lock the fixture in place, by either, tightening the 1/2" NPT lock nut (junction box) or the two (2) 1/4-20 socket head cap screws to 15 in/lbs. maximum (ballast box).

MOUNT FIXTURE TO BACK BOX COVER. SEE STEP #1

BACK BOX SHOULD BE FLUSH TO FINISH SURFACE.

(2) PROVISIONS PROVIDED FOR 1/2" CONDUIT ENTRANCE.

INSTALLATION SHEET

Safety, Warnings and Suggestions

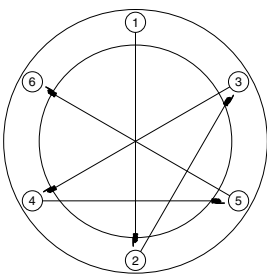
- ¹ Care should be taken not to position fixtures in locations where bare skin can come into contact with the potentially high temperatures on the lens.
- ² Avoid installing fixtures in locations where water collects and stands for prolonged periods.
- ³ Make sure that electrical power is disconnected before any work is performed.
- ⁴ All gaskets and sealing surfaces must be kept clean during installation.
- ⁵ As a rule of thumb, the higher the fixture is mounted above grade potential problems such as foliage over growth or water, mud etc. collecting on the lens are reduced.
- ⁶ All wiring and installation should meet local, state and national electrical codes.
- ⁷ Install correct lamp type and wattage.

Note: FL-63 supplied with 1/2" NPT nipple only if no swivel required.

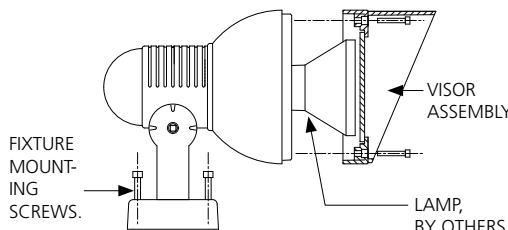
P#32A37903

© 2005 - 2009 ALLSCAPE. All rights reserved.
 ALLSCAPE is a registered trademark of Philips.

Due to a program of continuous improvement, ALLSCAPE reserves the right to make any variation in design or construction to the equipment described.



Use several rotations of the following sequence to tighten the cast cover plate screws, to 25 in/lbs. max.



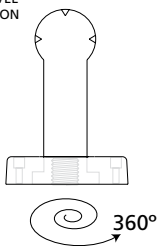
1. Install ballast housing or junction box as required for job.
2. Remove fixture and ballast housing cover from packaging.
3. Remove the visor/lens assembly by unscrewing four-(4) 8-32 socket head cap screws.
4. Install the correct lamp type and wattage.
5. Re-install the visor/lens assembly and hand tighten the four-(4) 8-32 socket head cap screws to 10 in/lbs. max.
6. Install the ballast cover with the fixture mounted to it; with six-(6) 10-24 socket head cap screws provided with the cover.

NOTE: AIMING OPTIONS

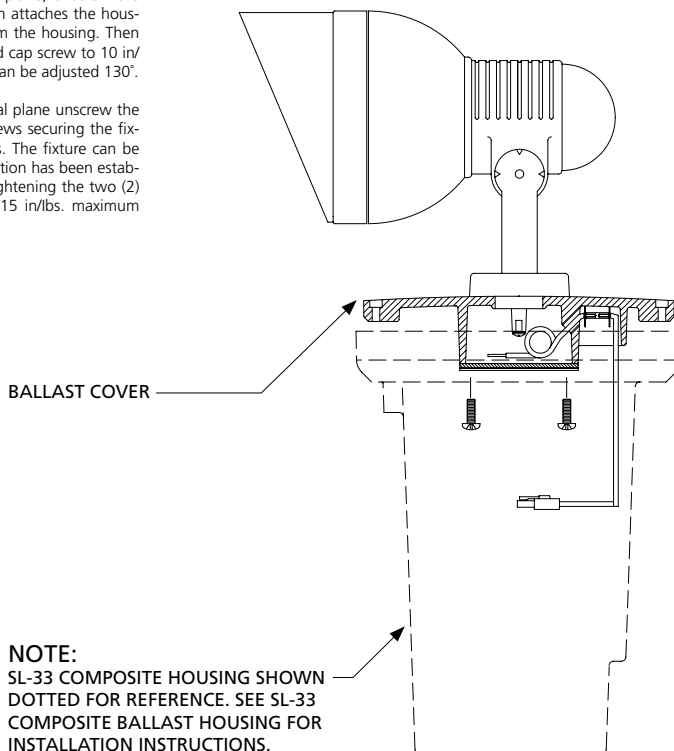
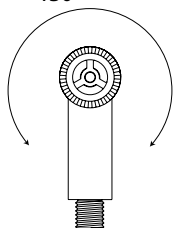
1. To adjust the aim in the vertical plane, unscrew the 1/4-20 socket head cap screw which attaches the housing to the knuckle several turns. Aim the housing. Then hand tighten the 1/4-20 socket head cap screw to 10 in/lbs. maximum. The fixture housing can be adjusted 130°.

2. To adjust the aim in the horizontal plane unscrew the two (2) 1/4-20 socket head cap screws securing the fixture to the ballast box several turns. The fixture can be adjusted 360°. Once the correct position has been established lock the fixture in place by tightening the two (2) 1/4-20 socket head cap screws to 15 in/lbs. maximum (ballast box).

SWIVEL OPTION



ROTATION OPTION 130°



NOTE:
 SL-33 COMPOSITE HOUSING SHOWN DOTTED FOR REFERENCE. SEE SL-33 COMPOSITE BALLAST HOUSING FOR INSTALLATION INSTRUCTIONS.

IMPORTANT! A CRISS CROSS PATTERN IS REQUIRED TO ENSURE THAT A GOOD COMPRESSION SEAL IS MADE. If this is not accomplished the ballast housing could leak and be damaged. Tighten the screws gradually using multiple tightening steps up to 25 in/lbs. max.