

Pedestrian Areas

Walkways

Building Entrances

Parking Lots

Shopping Malls

Landscape Areas



PT - pointed shade and cap



GFL - glow top flat shade and cap

Specifications



Certifications ETL and CETL listed for wet location. Meets IP54 standard.

Housing The housing shall be constructed of spun and cast aluminum. The bollard shaft shall be constructed from 8" diameter one piece extruded 6063 alloy aluminum tube and shall be 24" high.

Ballast The ballast for HID are high power factor core and coil, multi-tap. Ballasts for 26/32/42W compact fluorescent are electronic, universal voltage 120-277V, 50 or 60Hz.

Lens The lens shall be clear polycarbonate (CLL, CLR, CLB & IND versions) or opal polycarbonate for wide angle light distribution (O version) or clear, partially frosted polycarbonate. (ECLR version)

Optic Assembly The reflectors shall be aluminum and silver anodized.

Options The glow tops shall be constructed of uv resistant opal or clear polycarbonate standard or colored polycarbonate optional.

Mounting Galvanized steel anchor bolts provided for easy mounting. Column is secured to base with stainless steel tamper proof screws.

Finish BK-BZ-WH-GR-NA-GY thermoset polyester powder coat which is electrostatically applied and bonded by heat fusion thermosetting.

PROJECT
FIXTURE TYPE
CATALOG#



Some luminaires use fluorescent or high intensity discharge (HID) lamps that contain small amounts of mercury. Such lamps are labeled "Contains Mercury" and/or with the symbol "Hg." Lamps that contain mercury must be disposed of in accordance with local requirements. Information regarding lamp recycling and disposal can be found at www.lamprecycle.org

Product Order Guide

Series	Max Watts	Lamp Type	Lamp Voltage ³	Optics	Finish ³	Shade	Options
LL-205	70 MH	T6	120	O	BK Black	FL Flat	HSS House Side Shield
	150 MH	T6	208	CLR	BZ Bronze	PT Pointed	
	70/100 MH	E17	240		WH White	RD Round	
	150 MH	E17	277	CLB	GR Green	GFL Glow Flat Opal	
					NA Natural Alum	GPT Glow Pointed Opal	
	50/70 HPS	E17			GY Gray	GRD Glow Round Opal	
	100/150 HPS	E17			CC Custom	GFLC Glow Flat Clear	
						GPTC Glow Pointed Clear	
	26 CFT	CFT ⁴				GRDC Glow Round Clear	
	32 CFT	CFT ⁴			CLL		
42 CFT	CFT ⁴			ECLR ¹			
				GR3			
				GR5			

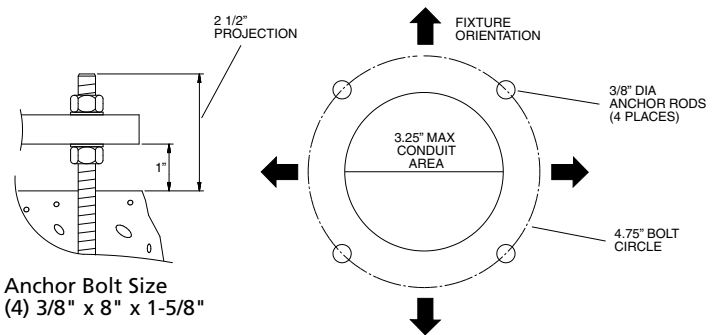
1 Note ECLR option 70HPS/MH max.

2 NA - Natural Aluminum.

3 Consult factory for other colors and voltages.

4 Compact fluorescent lamp base options: 26/32W CF-G24Q-3
42W CF-GX24Q-4.

5 T6 Lamping only

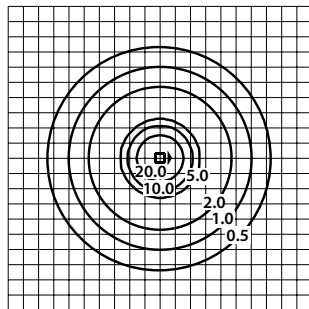


Anchor Bolt Size
(4) 3/8" x 8" x 1-5/8"

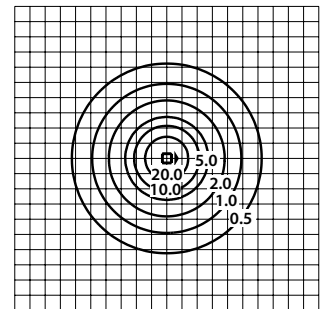
Example: LL-205-100MH-E17-277-CLL-BK-FL

Photometric Data

LL-205-70MH-ECLR
5000 Initial Lumens
36 in. Mounting Height
2.0 ft. grid
Value in footcandles

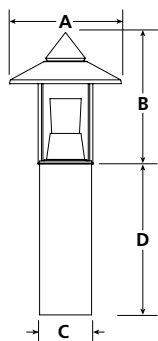


LL-205-70MH-GR5
5000 Initial Lumens
36 in. Mounting Height
2.0 ft. grid
Value in footcandles

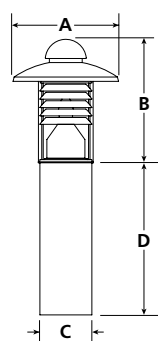


Luminaire Dimensions

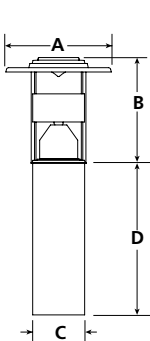
Luminaire	A		B		C		D		Weight	
	Inch	mm	Inch	mm	Inch	mm	Inch	mm	lbs.	kg
LL-205-GR5-PT-HDBP	15.00	381	19.00	483	8.00	394	24.00	610	24.0	10.9
LL-205-CLR-RD	15.00	381	17.75	451	8.00	203	24.00	610	24.5	11.1
LL-205-CLB-FL	15.00	381	15.25	387	8.00	203	24.00	610	24.0	10.9
LL-205-ECLR-RD	15.00	381	17.75	451	8.00	203	24.00	610	25.0	11.3
LL-205-CLL-RD	15.00	381	17.75	451	8.00	203	24.00	610	25.0	11.3



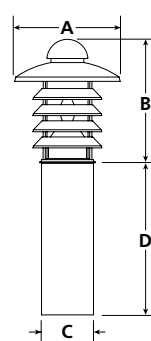
LL-205-GR5-PT



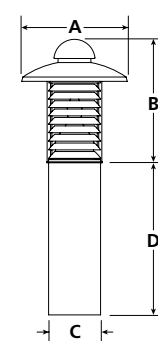
LL-205-CLR-RD



LL-205-CLB-FL



LL-205-ECLR-RD



LL-205-CLL-RD