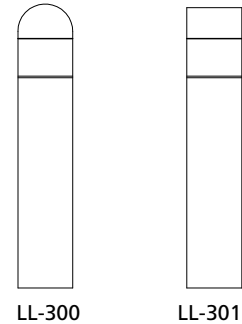


Phone: 714 668 3660  
 Fax: 714 668 1107  
 Email: sales@allscape.net  
 http://www.alllighting.com

## INSTALLATION SHEET

### Safety, Warnings and Suggestions

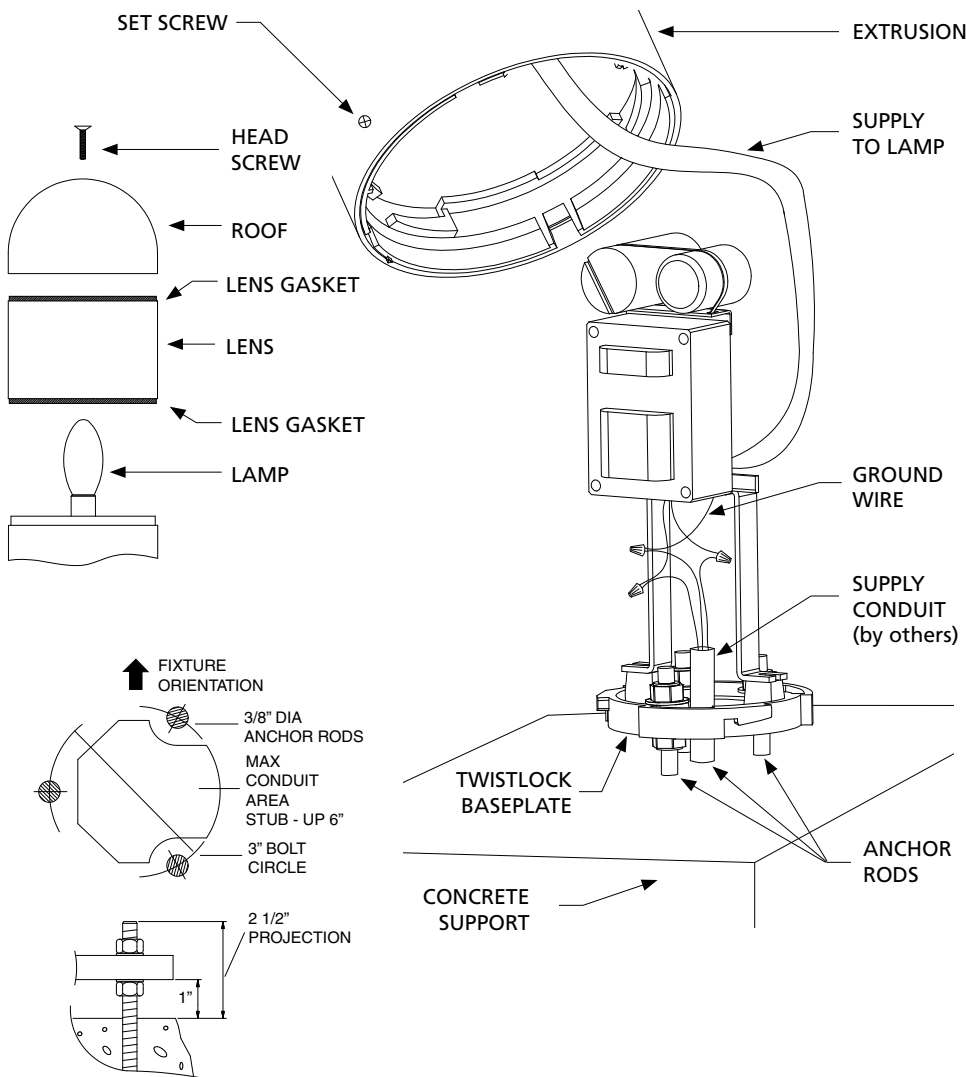
- <sup>1</sup> **Care** should be taken not to position fixtures in locations where bare skin can come into contact with the potentially high temperatures on the lens.
- <sup>2</sup> **Avoid** installing fixtures in locations where water collects and stands for prolonged periods.
- <sup>3</sup> **Make** sure that electrical power is disconnected before any work is performed.
- <sup>4</sup> **All** gaskets and sealing surfaces must be kept clean during installation.
- <sup>5</sup> **All** wiring and installation should meet local, state and national electrical codes.
- <sup>6</sup> **Install** correct lamp type and wattage.



#32A52440

© 2005 - 2009 ALLSCAPE. All rights reserved.  
 ALLSCAPE is a registered trademark of Philips.

Due to a program of continuous improvement, ALLSCAPE reserves the right to make any variation in design or construction to the equipment described.



1. Install the anchor rods into a concrete footing as indicated on the supplied template. Install and level the twistlock baseplate with ballast assembly as shown on the template.

2. Connect the supply lines from the supply conduit to the fixture's inputs. Tie the wires so they do not lie on the ground.

3. Set the fixture onto the twistlock baseplate using the "Align Screw" mark shown on the baseplate to orient the fixture. Be sure not to crimp any wires in the twistlock.

4. Turn the fixture clockwise about 1/8 turn until hand tight. Tighten the set screw to lock it in place.

5. Install a lamp per the relamping instructions below and test the fixture for proper operation.

#### Relamping

Make sure power is off before relamping. Remove the head screw from the top of the roof and lift the roof off of the fixture. Replace the lamp or install a new one per the label on the fixture. Replace the roof, checking to ensure the lens gasket is properly seated. Tighten the head screw.

LL-300/301 BASE INSTALLATION

Phone: 714 668 3660  
 Fax: 714 668 1107  
 Email: sales@allscape.net  
 http://www.allighting.com

## INSTALLATION SHEET

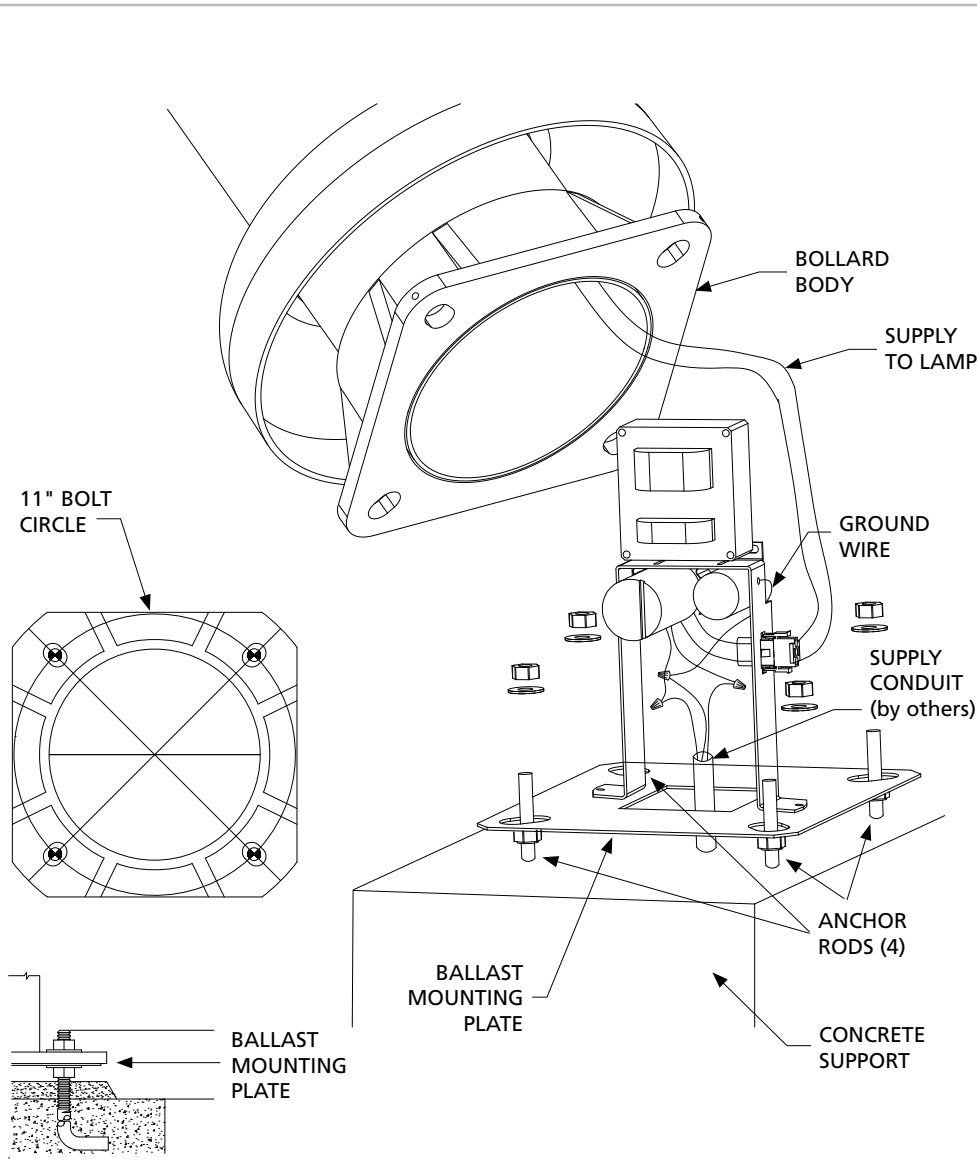
### Safety, Warnings and Suggestions

- <sup>1</sup> **Care** should be taken not to position fixtures in locations where bare skin can come into contact with the potentially high temperatures on the lens.
- <sup>2</sup> **Avoid** installing fixtures in locations where water collects and stands for prolonged periods.
- <sup>3</sup> **Make** sure that electrical power is disconnected before any work is performed.
- <sup>4</sup> **All** gaskets and sealing surfaces must be kept clean during installation.
- <sup>5</sup> **All** wiring and installation should meet local, state and national electrical codes.
- <sup>6</sup> **Install** correct lamp type and wattage.

P#32A53550

© 2005 - 2009 ALLSCAPE. All rights reserved.  
 ALLSCAPE is a registered trademark of Philips.

Due to a program of continuous improvement, ALLSCAPE reserves the right to make any variation in design or construction to the equipment described.



1. Install the anchor rods into a concrete footing as indicated on the supplied template. Install and level the ballast mounting plate with ballast assembly as shown on the template.

2. Connect the supply lines from the supply conduit to the fixture's inputs. Tie the wires so they do not lie on the ground connect quick connect from socket to receptacle on ballast assembly.

3. Set the fixture onto the ballast mounting plate/anchor bolts. Install the flat washers and nuts snug. Check straightness of bollard tube with a level and adjust nuts accordingly. Tighten nuts securely. Be sure not to pinch any wires.

4. Install base cover and secure with (4) 10-24 x 1/2" stainless steel screws.

5. Install lamp per standard bollard instruction sheet and test for proper operation.