

Low Level Lighting

Vandal Resistant

Landscape Accent

Parks

Walkways



Specifications



Certifications The fixture shall be ETL and CETL listed for wet location.

Assembly The fixture shall be factory pre-wired, with high temperature wire completely assembled and tested prior to shipment. Field installation to mounting base shall be accomplished without having to remove or disassemble any fixture components. Fixture shall be ETL listed suitable for wet locations.

Housing The fixture housing is heavy cast aluminum to discourage vandalism. Housing mounting post shall be constructed from 8" diameter aluminum 6063 one piece extruded tube. Anchor bolts included.

Ballast Ballast shall be readily accessible, removable and insulated. Quick disconnects are standard.

Lens The standard lens shall be a clear tempered glass jar.

Hardware All exposed hardware shall be stainless steel.

Finish BK-BZ-WH-GR-GY-NA baked enamel standard, other colors available.

PROJECT
FIXTURE TYPE
CATALOG#

 Some luminaires use fluorescent or high intensity discharge (HID) lamps that contain small amounts of mercury. Such lamps are labeled "Contains Mercury" and/or with the symbol "Hg." Lamps that contain mercury must be disposed of in accordance with local requirements. Information regarding lamp recycling and disposal can be found at www.lamprecycle.org

Product Order Guide

Series	Max Watts	Lamp Type	Voltage ¹	Overall Height	Finish ¹	Options
LL-30/31	100 HPS	E17	120	30"	BZ Bronze	F Fusing
	100 MH	E17	208	36"	BK Black	CON Concrete Base ³
	18 CFQ	CFQ ²	240	42"	GR Green	EMG Emergency Battery Backup
	42 CFT	CFT ²	277		WH White	HDBP Heavy Duty Base Plate
					NA Natural Aluminum	
					GY Gray	
					CC Custom Color	

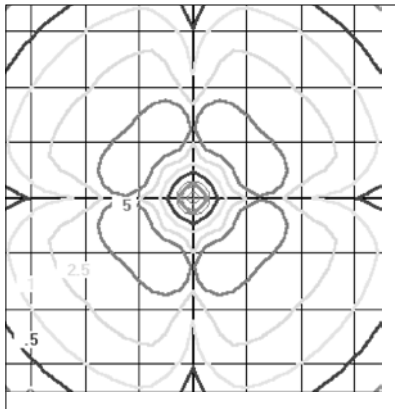
¹ Consult factory for other colors and voltages

² CF = single biax, CFQ = double biax, CFT = triple biax

³ Anti-Graffiti Coating Standard

Example: LL-30-70MH-E17-120-42-BZ

Photometric Data

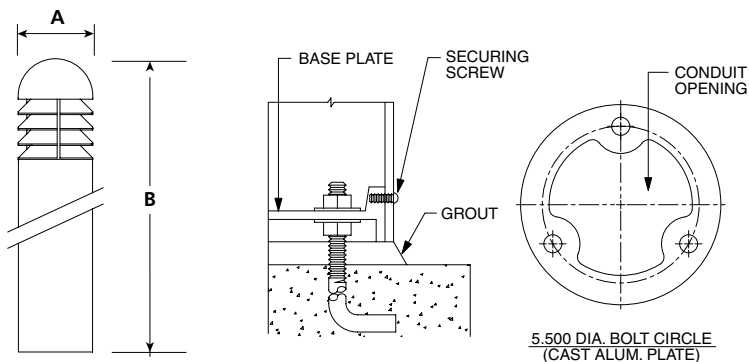


0 3.5 7 10.5

LL30-100MH-BK-42
100 Watt clear metal halide
at 42" overall height.

Luminaire Dimensions

Luminaire	A		B		Weight	
	Inch	mm	Inch	mm	lbs.	kg
LL-30	8.0	203	30.0	762	32	14.5
	8.0	203	36.0	914	34	15.4
	8.0	203	42.0	1067	36	16.3
LL-31	8.0	203	30.0	762	32	14.5
	8.0	203	36.0	914	34	15.4
	8.0	203	42.0	1067	36	16.3



Anchor Bolt Size
(3) 1/2" x 12" x 3"