

Building Entrances

Landscape Accent

Walkways

Planted Areas

Parks

Parking Lots



LL-310



LL-311

Specifications



Certifications

The fixture is ETL and cETL listed to U.S. and Canadian safety standards for wet locations.

Housing

The head assembly is cast aluminum with easy access for re-lamping. Fixture column is extruded aluminum, 8" diameter with .125" wall thickness. Fixture base is constructed of heavy duty cast aluminum.

Ballast

The ballast for HID are high power factor core and coil, multi-tap. Ballasts for 26/32/42W compact fluorescent are electronic, universal voltage 120-277V, 50 or 60Hz.

Optic Assembly

Borosilicate Type 5 glass reflector with or without house side shield, Type 3 glass refractor, conical specular aluminum reflector, white powder coated louvers or specular louvers.

Mounting

Galvanized steel anchor bolts and twist-lock feature provided for easy mounting. Column is secured to base with stainless steel locking screw.

Finish

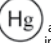
BK-BZ-WH-GR-NA-GY thermoset polyester powder coat which is electrostatically applied and bonded by heat fusion thermosetting. VR finish is hand-rubbed over a black thermoset polyester powdercoat. Limestone and Sandstone finish is bonded to the aluminum substrate.

Safety

Caution: Care should be taken when specifying fixtures for use in pedestrian walkways as lens temperatures from certain lamps could cause injury. Consult factory for more information.

PROJECT
FIXTURE TYPE
CATALOG#

LL-310/311

 Some luminaires use fluorescent or high intensity discharge (HID) lamps that contain small amounts of mercury. Such lamps are labeled "Contains Mercury" and/or with the symbol "Hg." Lamps that contain mercury must be disposed of in accordance with local requirements. Information regarding lamp recycling and disposal can be found at www.lamprecycle.org

Product Order Guide

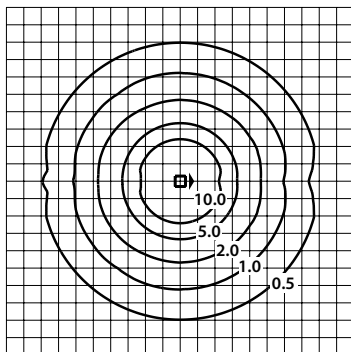
Series	Max Watts	Lamp Type	Voltage	Overall Height	Finish ³	Options
LL-310/311	50/70 MH 100 MH	E-17	120	24" 609 mm	BK Black	CLR Cone ²
		E-17	208	30" 762 mm	BZ Bronze	GR3 Type III Refractor
		E-17	240	36" 914 mm	WH White	GR5 Type V Refractor
	50/70 HPS 100 HPS	E-17	277	42" 1067 mm	GR Green	HSS House Side Shield ⁴
		E-17			NA Natural Alum	LW White Louvers
	100 INC	A21			GY Gray	LS Specular Louvers
					VR Verde	F Single Fusing (120/277)
					L Limestone	FF Double Fusing (208/240)
					S Sandstone	EMG Emergency Battery Backup
		26 CFT	CF ^{1,2}		CC Custom	
	32 CFT	CF ^{1,2}				
	42 CFT	CF ^{1,2}				

- 1 Compact fluorescent lamp base options: 26W CF -GX24q-3, 32W CF -GX24q-3, 42W CF -GX24q-4.
- 2 Cone optic not available with fluorescent lamps.
- 3 Consult factory for other colors and voltages.
- 4 GR5 only.
- 5 Consult factory for HDBP anchor bolt arrangement.

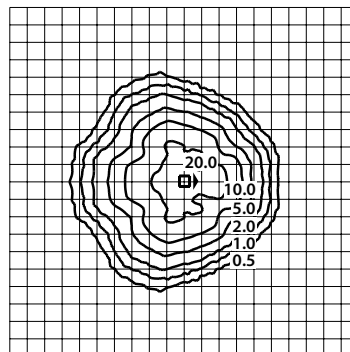
Example: LL-310-100MH-120-36-BZ-LS

Photometric Data

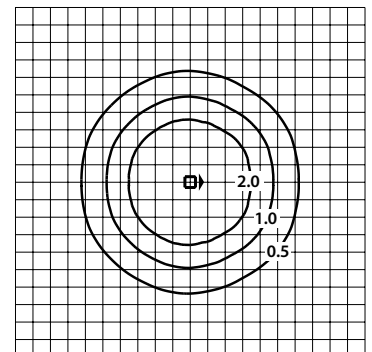
LL-311-100MH-type LW
9000 Initial Lumens
42 in. Mounting Height, 2.0 ft. grid
Value in footcandles



LL-311-100MH-type CLR
9000 Initial Lumens
42 in. Mounting Height, 2.0 ft. grid
Value in footcandles



LL-310-42CF-type V
3200 Initial Lumens
42 in. Mounting Height, 2.0 ft. grid
Value in footcandles



Luminaire Dimensions

Luminaire	A		B1		B2		B3		B4		Weight	
	Inch	mm	Inch	mm	Inch	mm	Inch	mm	Inch	mm	lbs.	kg
LL-310	8.0	203	24.0	610	30.0	762	36.0	914	42.0	1066	37.0	16.7
LL-311	8.0	203	24.0	610	30.0	762	36.0	914	42.0	1066	37.0	16.7

