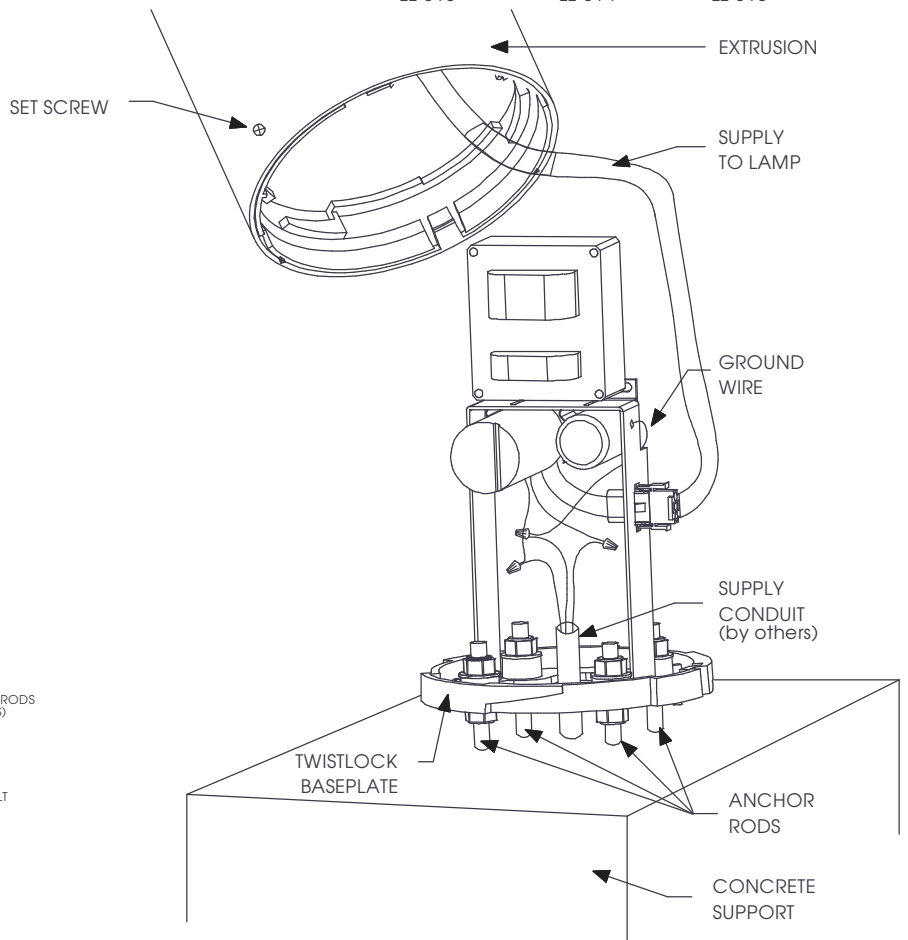
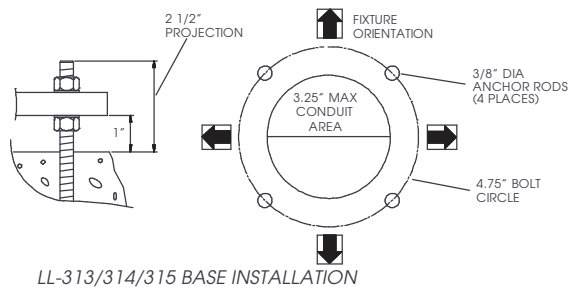
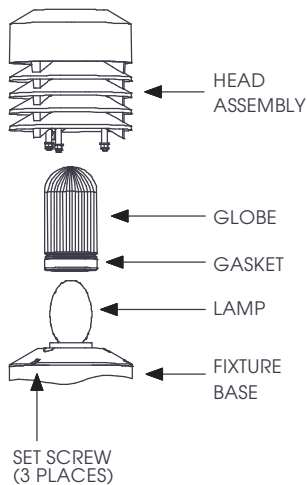
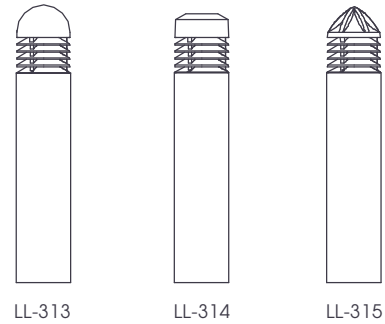


### Safety, Warnings and Suggestions

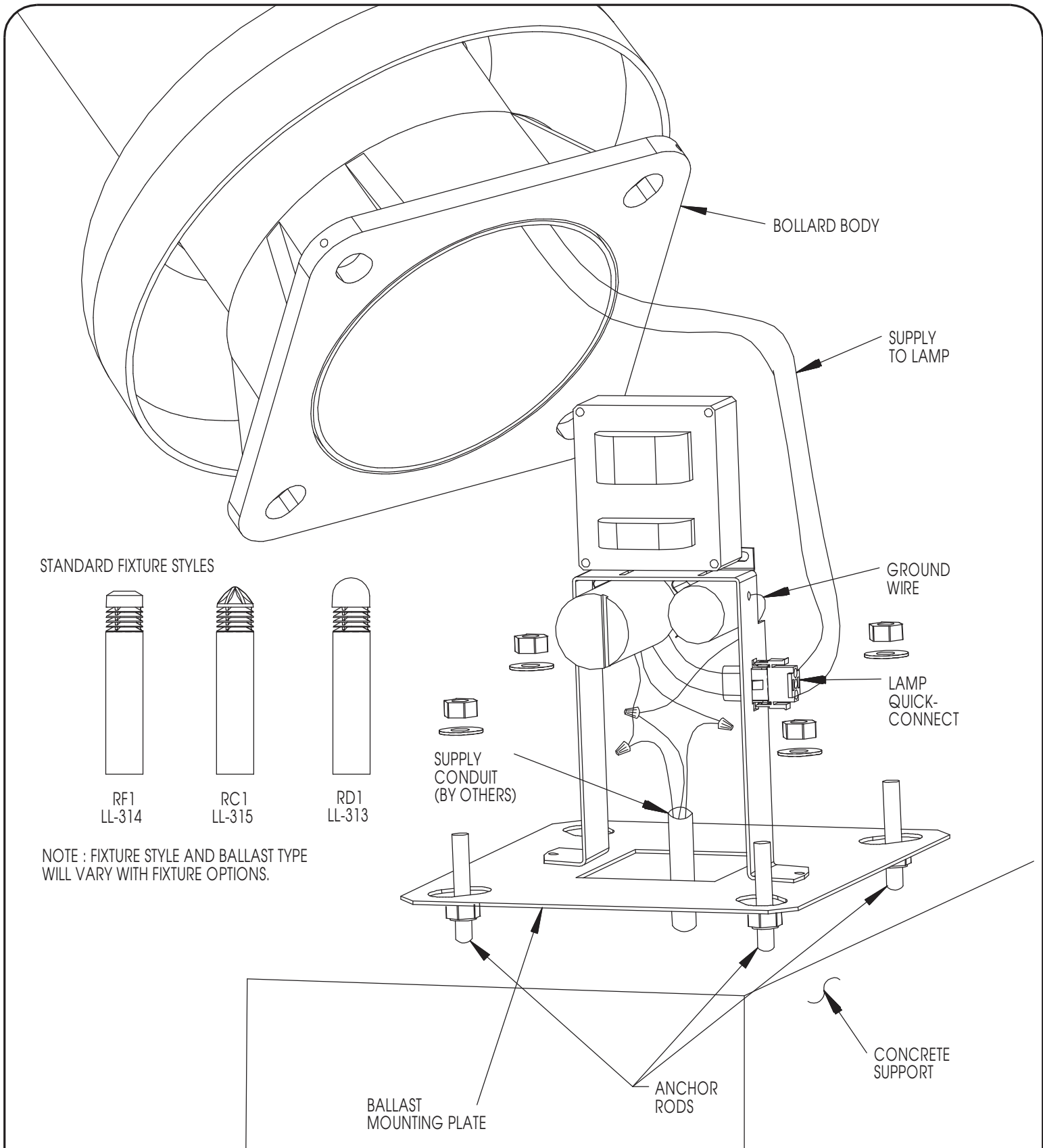
- 1 **Care** should be taken not to position fixtures in locations where bare skin can come into contact with the potentially high temperatures on the lens.
- 2 **Avoid** installing fixtures in locations where water collects and stands for prolonged periods.
- 3 **Make** sure that electrical power is disconnected before any work is performed.
- 4 **All** gaskets and sealing surfaces must be kept clean during installation.
- 5 **All** wiring and installation should meet local, state and national electrical codes.
- 6 **Install** correct lamp type and wattage.



1. Install the anchor rods into a concrete footing as indicated on the supplied template. Install and level the twistlock baseplate with ballast assembly as shown on the template.
2. Connect the supply lines from the supply conduit to the fixture's inputs. Tie the wires so they do not lie on the ground. Connect the lamp quick-connect to the receptacle on the ballast bracket.
3. Set the fixture onto the twistlock baseplate using the "Align Screw" mark shown on the baseplate to orient the fixture. Be sure not to crimp any wires in the twistlock.
4. Turn the fixture clockwise about 1/8 turn until hand tight. Tighten the set screw to lock it in place.
5. Install a lamp per the relamping instructions below and test the fixture for proper operation.

#### Relamping

Make sure power is off before relamping. Loosen the three set screws on the bottom louver by about 1/2" each. Lift the head of the fixture off, holding it by the louvers, not the roof. Lift the globe straight off. Make sure the gasket stays tightly on the globe. Replace the lamp or install a new one per the lamp style on the lamp label. Note that if house side shield is needed it should be inserted at this time. Replace the globe, positioning the house side shield (if used) in desired direction. Set the head onto the fixture. Hold the head down and tighten (3) set screws.



BOLLARD BODY

SUPPLY TO LAMP

STANDARD FIXTURE STYLES



RF1  
LL-314



RC1  
LL-315



RD1  
LL-313

NOTE : FIXTURE STYLE AND BALLAST TYPE WILL VARY WITH FIXTURE OPTIONS.

GROUND WIRE

LAMP QUICK-CONNECT

SUPPLY CONDUIT (BY OTHERS)

BALLAST MOUNTING PLATE

ANCHOR RODS

CONCRETE SUPPORT



# PHILIPS

100 Craftway Dr.  
Littlestown, Pennsylvania 17340-0128  
Phone: 717-359-7131

## INSTALLATION INSTRUCTIONS: 8" CAST LOUVER BOLLARD HEAVY DUTY BASE PLATE MODEL NUMBERS: RC1, RD1, RF1, LL-315, LL-313, LL-314

### CAUTION

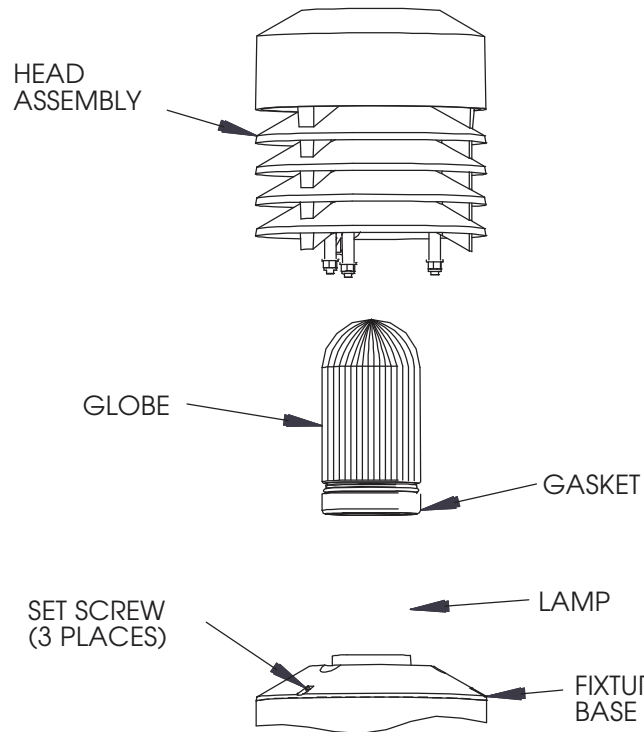
1. **WARNING** : TURN THE POWER OFF BEFORE INSTALLING OR PERFORMING ANY MAINTENANCE ON THIS FIXTURE. Failure to do so may result in severe injury or death.
2. **GFI PROTECTION!** Fixtures which may come in contact with or be exposed to moisture (i.e. outdoors) shall be installed on a GFI (Ground Fault Interruptor) circuit.
3. The fixture should not be installed in low lying areas or where water may accumulate and stand for long periods of time.

### INSTALLATION

1. **WARNING** : Make sure the power is off before installing or servicing this fixture.
2. Install the anchor rods into a concrete footing as indicated on the supplied template. Install and level the ballast mounting plate with ballast assembly as shown in the instructions.
3. Connect the supply lines from the supply conduit to the fixture's inputs. Tie the wires so they do not lie on the ground. Connect the lamp supply quick-connect to the receptacle on the ballast bracket.
4. Set the fixture onto the anchor bolt/ballast plate assy base plate making sure to orient the fixture as desired. Be sure not to crimp any wires beneath the base plate.
5. install the washers and nuts and tighten securely. Install the base cover and secure to cast base with provided screws.
6. Install a lamp per the relamping instructions below and test the fixture for proper operation.

### RELAMPING

Make sure power is off before relamping. Loosen the three set screws on the bottom louver by about 1/2" each. Lift the head of the fixture off, holding it by the louvers, not the roof. Lift the globe straight off. Make sure the gasket stays tightly on the globe. Replace the lamp or install a new one per the lamp style on the lamp label. HID fixtures should use coated lamps for best results. Note that if the house side shield is needed, it should be inserted into the globe at this time. Replace the globe, positioning the house side shield (if used) to cut off light in the desired direction. Set the head onto the fixture. Hold the head down and tighten the three set screws.



NOTE : ROOF AND LAMP STYLE WILL VARY WITH FIXTURE OPTIONS.



This fixture is intended for installation in accordance with the National Electrical Code and local code specifications. Failure to adhere to these codes and instructions may result in serious injury and/or damage to the ballast and void the warranty. These instructions do not purport to cover all details or variations in equipment, nor to provide for every possible contingency related to installation, operation, maintenance, or mounting situation. Should specific problems occur that are not addressed by these instructions, contact your Sales Representative or distributor for assistance. Retain these instructions for future reference.