

Landscape Areas

Path Lighting

Walkway Lighting

Accent Lighting



PATHLIGHT

Specifications



Certifications ETL and CETL listed for wet location. Also meets IP65 standard.

Housing Dual wall die-cast aluminum construction.

Ballast The ballast shall be high power factor core and coil, multi-tap.

Optic Assembly Clear tempered glass and sealed to the housing with high temperature silicone gasket ensuring a positive water tight seal.

Mounting Galvanized steel anchor bolts provided for easy mounting.

Options The following options are available: single or double aperture.

Finish BK-BZ-WH-GR-NA-GY thermoset polyester powder coat which is electrostatically applied and bonded by heat fusion thermosetting.

PROJECT
FIXTURE TYPE
CATALOG#

 Some luminaires use fluorescent or high intensity discharge (HID) lamps that contain small amounts of mercury. Such lamps are labeled "Contains Mercury" and/or with the symbol "Hg." Lamps that contain mercury must be disposed of in accordance with local requirements. Information regarding lamp recycling and disposal can be found at www.lamprecycle.org

Product Order Guide

Series	Max Watts	Lamp Type	Voltage ¹	Finish ¹	Options
LL-60	70MH	T6	120/277 ²	BK Black BZ Bronze WH White GR Green NA Natural Aluminum GY Gray CC Custom	SL Single Side Lens DL Double Side Lens @ 180°

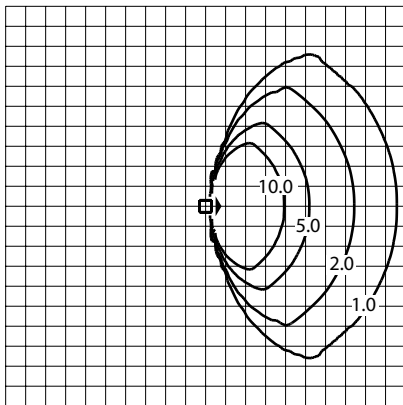
¹ Consult factory for other colors and voltages
² Dual Tap Ballast only

Example: LL-60-70MH-T6-120-BK-DL

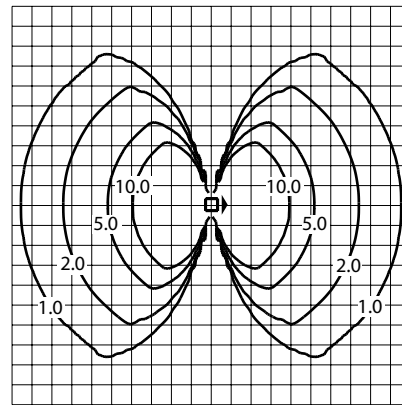
Caution: Care should be taken when specifying fixtures for use in pedestrian areas to avoid problems that may be caused by high lens temperatures. Care should be taken not to install ground level fixtures in areas where water can stand for prolonged periods of time. Sufficient drainage must be provided to avoid problems. Avoid placement of the Pathlight that may present pedestrian trip hazards. Consult factory for more information.

Photometric Data

LL-60-70MH-SL
6600 Initial Lumens
10 in. Mounting Height, 1.0 ft. grid
Value in footcandles

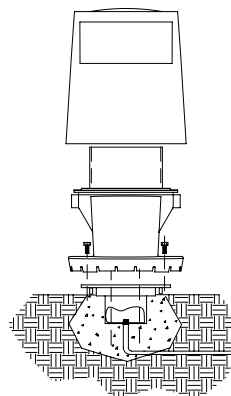
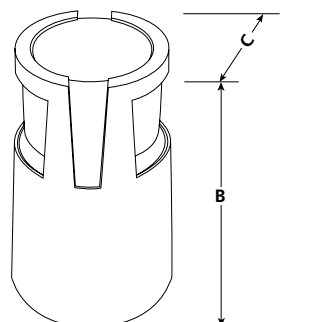
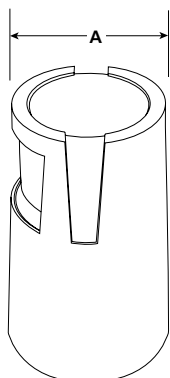


LL-60-70MH-DL
6600 Initial Lumens
10 in. Mounting Height, 1.0 ft. grid
Value in footcandles



Luminaire Dimensions

Luminaire	A		B		C		Weight	
	Inch	mm	Inch	mm	Inch	mm	lbs.	kg
LL-60-SL	7.00"	178	10.50"	267	9.00"	229	16lbs	7.3kg
LL-60-DL	7.00"	178	10.50"	267	9.00"	229	16lbs	7.3kg



Mounting Detail
1/2" or 3/4"
Conduit by
Others