

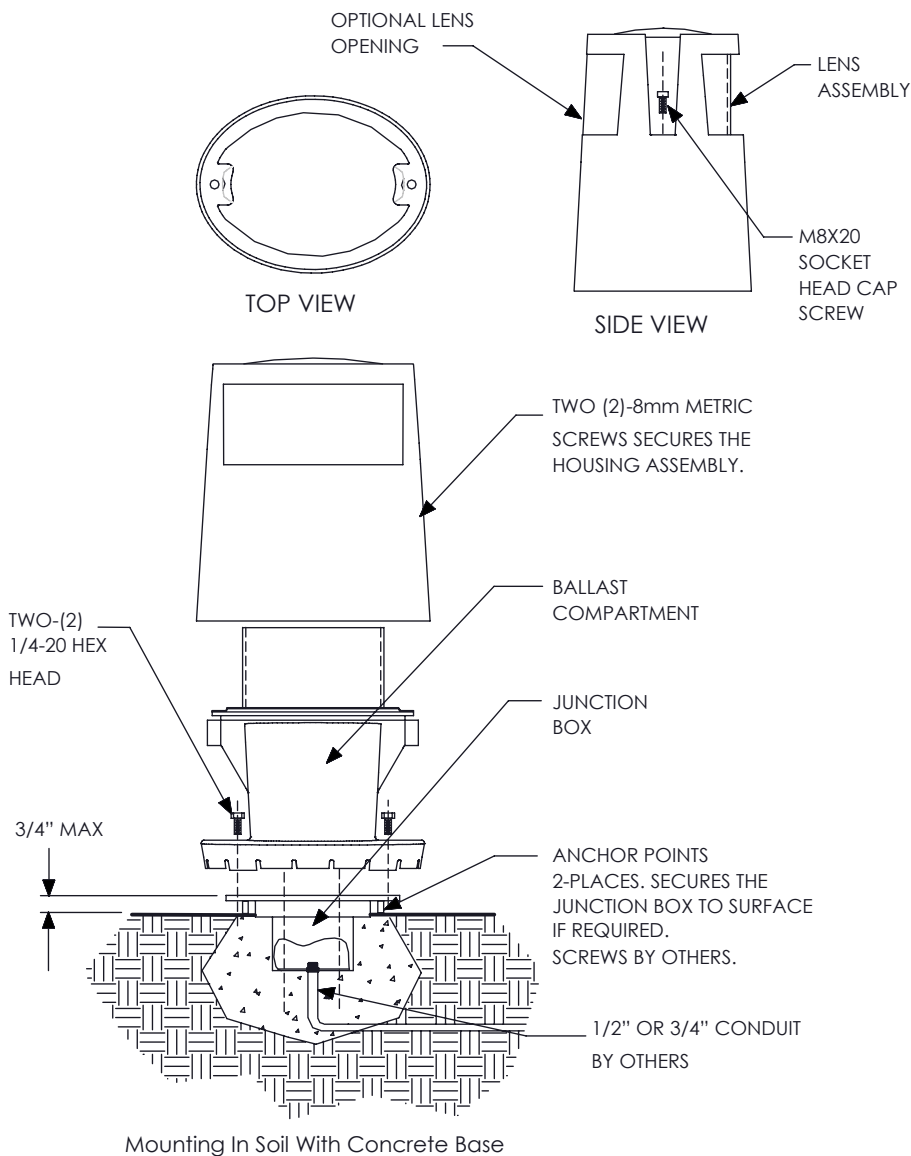
# PHILIPS

100 Craftway Dr.  
Littlestown, Pennsylvania 17340-0128  
Phone: (717) 359-7131

## INSTALLATION INSTRUCTIONS: LL-60 PATHLIGHT

### *Safety, Warnings and Suggestions*

- <sup>1</sup> *Care* should be taken not to position fixtures in locations where bare skin can come into contact with the potentially high temperatures on the lens.
- <sup>2</sup> *Avoid* installing fixtures in locations where water collects and stands for prolonged periods.
- <sup>3</sup> *Make* sure that electrical power is disconnected before any work is performed.
- <sup>4</sup> *All* gaskets and sealing surfaces must be kept clean during installation.
- <sup>5</sup> *All* wiring and installation should meet local, state and national electrical codes.
- <sup>6</sup> *Install* correct lamp type and wattage.



1. Prepare the site with adequate excavation and install the anchor bolts as per factory supplied template.

2. Remove the fixture from box and unscrew two 8mm socket head cap screws using a 6mm Allen key and remove the housing. Remove the junction box by removing two 1/4-20 hex head bolts. Install the junction box to anchor bolts or conduit and level.

3. Take the ballast compartment and make power and ground connection using UL approved connectors, and contractor supply waterproof junction box. Secure it to the junction box with the (2)-1/4-20 hex bolts.

4. Install the correct lamp type and wattage. MAKE SURE THAT THE CYLINDER GLASS LENS IS PROPERLY SEATED WITH THE GASKET IN PLACE.

5. Reinstall the housing cover with the (2)-8mm socket head cap screws.

