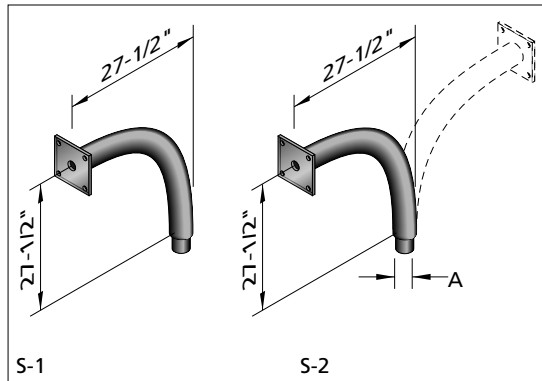


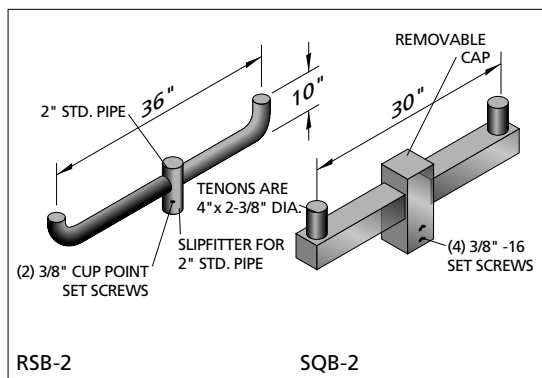
PROJECT
FIXTURE TYPE
CATALOG#



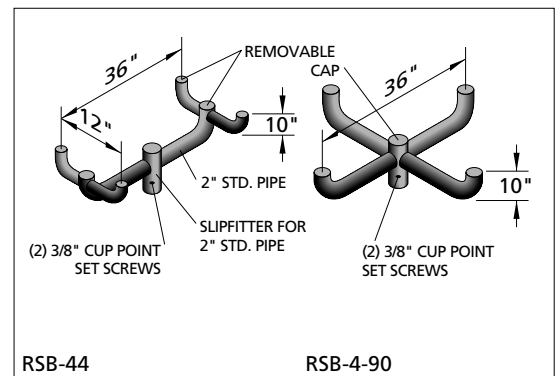
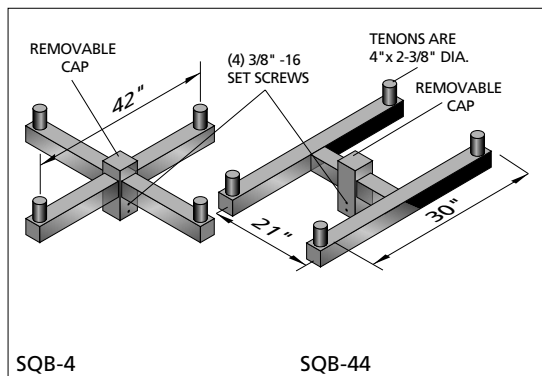
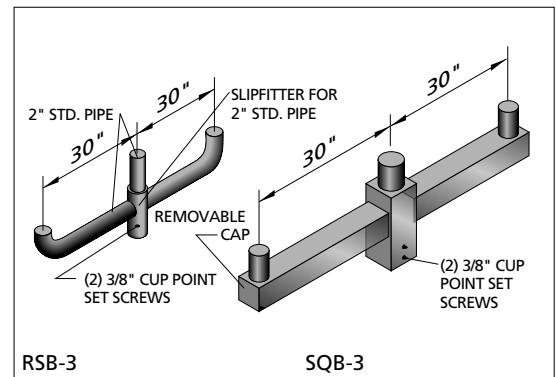
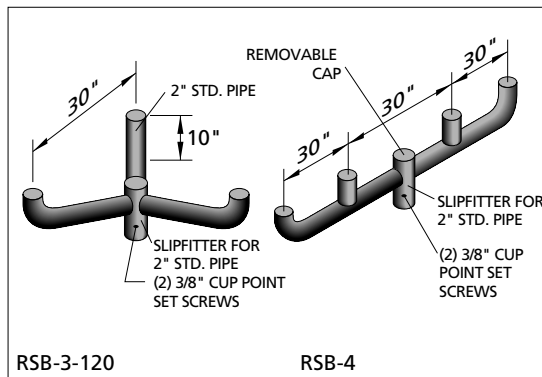
**Sweep Arm**

Dimension 'A' to slip fit inside 3-1/2" I.P.S. schedule 40 post.

Note: Add series prefix to bracket ordering number. Example AL-01-S1 designates a single sweep arm to fit a AL-01 Series fixture.



**Steel Mounting Brackets**



P&B