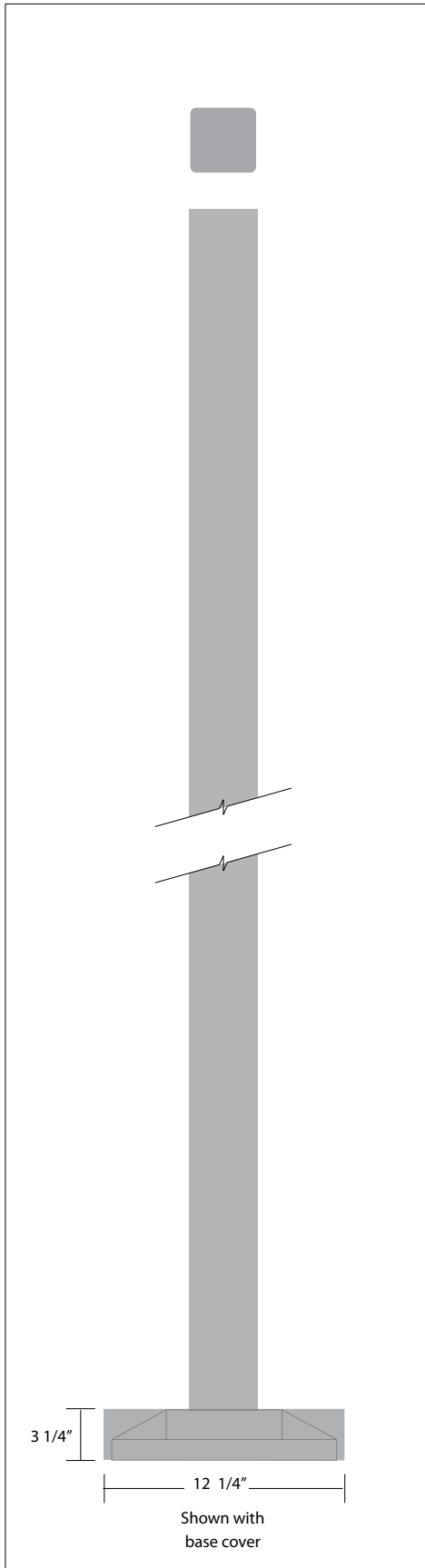


PROJECT
FIXTURE TYPE
CATALOG#



Square Aluminum Straight Poles

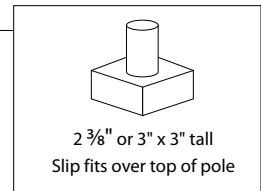
Catalog Number	Pole Dimensions	Bolt Circle	Anchor Bolt Size	Max. EPA ¹ 80	100
SQAS4-12	4" O.D. x 12'	9 1/2"	(4) 3/4" x 19"	17.52	10.29
SQAS4-14	4" O.D. x 14'	9 1/2"	(4) 3/4" x 19"	11.56	6.52
SQAS4-15	4" O.D. x 15'	9 1/2"	(4) 3/4" x 19"	10.21	5.65
SQAS4-16	4" O.D. x 16'	9 1/2"	(4) 3/4" x 19"	9.49	5.02
SQAS4-18	4" O.D. x 18'	9 1/2"	(4) 3/4" x 19"	7.74	3.73
SQAS4-20	4" O.D. x 20'	9 1/2"	(4) 3/4" x 19"	6.23	2.60

Tenon Adapter Options

Adapter	Dimensions	Adapter	Notes
T238	2-3/8" O.D.	T300	3" O.D.
DM10	Drill for single	DM390	Drill for triple at 90°
DM2180	Drill for double at 180°	DM490	Drill for quad at 90°
DM290	Drill for double at 90°	GFI	Provision only

Dimensions

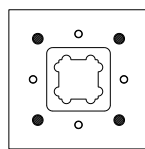
Base	11 1/2" sq. x 2" H
Base Cover (included)	12 1/4" sq. x 3 1/4" H
Hand-Hole Opening	2" x 4" Oval
Shaft	4" Straight
Wall	0.188 Aluminum



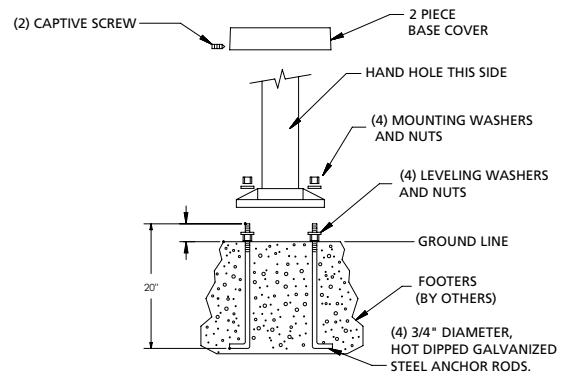
Finishes

BK	Black	Polyurethane enamel finish. Assemblies are shot blasted to create a surface profile which allows for the highest level of paint adhesion, creating superior weatherability and fade resistance.
BZ	Bronze	
WH	White	
VR	Verde	
GR	Green	

Example: SQAS4-20-N-BZ



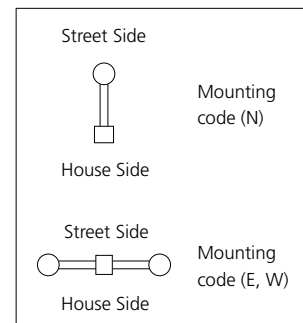
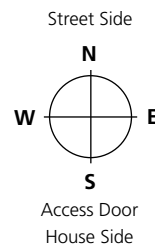
Base Plate



When ordering:

The diagram will help you properly designate the orientation of your fixtures.

The access door side (S) is generally located on the house side positioning of the pole, with street side being the opposite (N). Therefore, if you plan to mount one fixture on the roadway side of a pole, you should use mounting code "N".



¹ EPA values based on destructive break testing. For AASHTO ratings, contact factory.