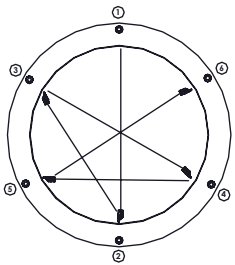


Safety, Warnings and Suggestions

- ¹ **Care** should be taken not to position fixtures in locations where bare skin can come into contact with the potentially high temperatures on the lens.
- ² **Avoid** installing fixtures in locations where water collects and stands for long periods.
- ³ **Make** sure that electrical power is disconnected before any work is performed.
- ⁴ **All** wiring and installation should meet local, state and national electrical codes. This will help prevent wire connector corrosion due to water penetration from conduit.
- ⁵ **Install** correct lamp type and wattage when required.
- ⁶ **All** gaskets and sealing surfaces must be kept clean during installation.
- ⁷ **Check** that the inside of the housing is free of debris of any kind. Remove if found. This can obstruct the flow of air and increase the temperature of the lens surface.
- ⁸ **Check** that the gap between the lens ring and the casting is clear of any obstruction. Clean if required. This can obstruct the flow of air and increase the temperature on the lens surface.
- ⁹ **As** a rule of thumb, the higher the fixture is mounted above grade potential problems such as foliage over growth or water, mud etc. collecting on lens are reduced.
- ¹⁰ **If** condensation, built up during installation, is visible on the lens it is recommended that the fixture be turned on before the lens ring is fully secured for approximately 30 minutes. This should allow the condensation to be exhausted.



Use several rotations of the following sequence to firmly tighten the lens ring screws, to 25 in/lbs.

Mount fixture as high above grade as possible to prevent debris and water standing on fixture surface.

Create an isolation barrier around the fixture to prevent rocks and foliage from interfering with light output.

Add drainage media below and around fixture to prevent standing water.

1. Prepare the site with adequate excavation to install fixtures ¹. Drainage media below fixture will enhance installation ^{2,3}.

2. Remove lens ring, lens, gasket, ⁴ reflector assembly and "D" shaped splice box cover plate.

3. Connect conduit to the 3/4" NPT openings in the splice compartment at the bottom of the fixture, using the appropriate thread sealing compound. Tighten to 15 ft-lbs. max.

4. Position fixture so it is flush or just above the installation grade ⁵ and orient the fixture with regard to architectural requirements to obtain the appropriate accent.

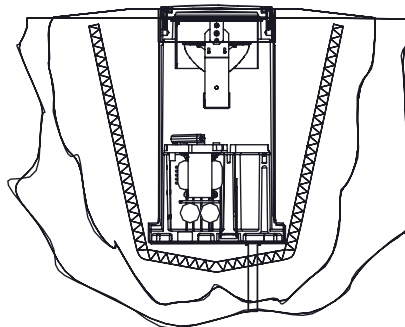
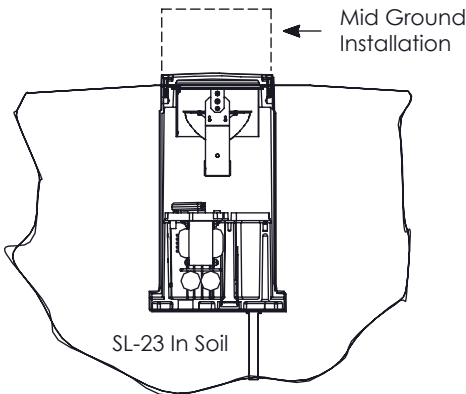
For Mid Ground installation up to 6" above grade use soil mount or concrete base approach. For heights greater than 6" use a concrete base to anchor and stabilize fixture. A concrete base is always preferred.

5. Make power and ground connections using the water-proof connectors provided. It is recommended that RTV Silicone or other re-enterable water sealing compound be used to seal the conduit entry points ⁷.

6. Reinstall "D" shaped splice box cover plate ensuring that all three (3) screws are securely tightened. ⁴ Reinstall reflector assembly, install lamp ⁸ and make aiming adjustments.

7. Install lens ring and lens with gasket ⁴

IMPORTANT! A CRISS CROSS PATTERN IS REQUIRED TO ENSURE THAT A GOOD COMPRESSION SEAL IS MADE. If this is not accomplished the fixture could leak and be damaged. Tighten screws gradually using multiple tightening steps to 25 in/lbs.



Concrete Paver/Marble

Install feet (3) on Trim Ring

