

Dual Lens for Cool Operation

- Pedestrian Areas**
- Flagpole Lighting**
- Building Accent**
- Wall Wash**
- Sign Lighting**
- Landscape Areas**



DUAL LENS

Specifications



Certifications ETL and CETL listed for wet location, direct burial, and concrete pour. Certified to IP65 and IP67 to ensure protection against the harshest environments. IEC compliant versions available, consult factory.

Lamp/Ballast Housing Compression molded Rhinolite™ composite material, structurally reinforced with glass fibers. Superior resistance to ultraviolet degradation and corrosion resistant in harsh environments. Trim Rng (TR) and Debris Cover (DC) supplied standard.

Splice Compartment Supplied with two 3/4" NPT conduit entrances. Connection to ballast compartment by way of anti-wicking chamber. Sealed with gasketed die cast aluminum cover plate. Suitable for through wiring.

Dual Lens External lens standard 7/16" clear tempered flat borosilicate glass (F) or ADA anti-slip and walkover clear tempered flat borosilicate glass (ADA). Flat lenses will withstand loads up to 200 PSI. Sealed to housing with high temperature injection molded silicone gasket. Optional linear, radial and wallwash spread lenses also available. Internal lens is 7/16" clear tempered flat borosilicate glass.

Lens Frame Heavy duty die cast bronze lens frame is supplied as standard. Fastened to housing with eight captive 1/4-20 stainless steel Allen cap screws.

Reflectors Spun aluminum highly specular Alzak™ finish for either NEMA type 1 spot (SPT) or NEMA type 3 flood (FLD) E17/T6 distributions. Field adjustable up to 25° tilt and 360 degree horizontal rotation. A fluorescent flood reflector for up to 42W lamps.

Lamp Holder Porcelain 4kv pulse rated medium base for HID and Incandescent lamp sources.

Options Cast aluminum Convex Rock Guard (CR), and Directional Shield (DS). Internal Hex Cell Louver (HL), Glass Color Filter (GF), Trim Ring (TR), Grout Mask (GM), Debris Cover (DC).

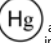
Finish Housing Black (BK). Options can be painted in standard or custom colors. Powder Coat Standard.

Safety Caution: Care should be taken when specifying fixtures for use in pedestrian walkways to avoid problems that may be caused by high lens temperatures. Consult factory for more information.

Warning Caution: Care should be taken not to install in-ground fixtures in areas where water can stand for prolonged periods of time. Sufficient drainage must be provided to avoid problems. Consult factory for more information.

SL-43 HPBB

| |
|--------------|
| PROJECT |
| FIXTURE TYPE |
| CATALOG# |

 Some luminaires use fluorescent or high intensity discharge (HID) lamps that contain small amounts of mercury. Such lamps are labeled "Contains Mercury" and/or with the symbol "Hg." Lamps that contain mercury must be disposed of in accordance with local requirements. Information regarding lamp recycling and disposal can be found at www.lamprecycle.org

Product Order Guide

| Series | Max Watts | Lamp Type | Voltage ⁵ | Optics | Optics | Optics | Optics | Optics | Optics | Optics | Options | |
|-----------|-----------------------------|--------------------|----------------------|------------------|-------------|--------|---------------|-----------------|------------------|--------|---------------------------------|-----------------|
| SL-43HPBB | Fluorescent | | | | | | | | | | | |
| | 26CFT | CFT | 120 | SPT ¹ | Spot | F | Clear Flat | BK ³ | Black | CR | Convex Rockguard ⁴ | |
| | 32CFT | CFT | 208 | FLD | Flood | ADA | ADA Walkover | BZ ³ | Bronze | DS | Directional Shield ⁴ | |
| | 42CFT | CFT | 240 | FL | Fluorescent | LS | Linear Spread | WH ³ | White | HL | Hex Cell Louver | |
| | | | 277 | VVW ² | Wall Wash | RS | Radial Spread | GR ³ | Green | GF | Glass Color Filter | |
| | High Pressure Sodium | | | | | | | | | | | |
| | 50/70HPS | E17 | | | | | | NA ³ | Natural Aluminum | GM | Grout Mask | |
| | 100HPS | E17 | | | | | | GY ³ | Gray | LFSS | Stainless Steel Lens | |
| | | | | | | | | CC ³ | Custom Color | Frame | AHOT | AIM-HOT(T6/E17) |
| | Metal Halide | | | | | | | | | | | |
| | 50/70MH | E17 | | | | | | | | | | |
| | 100MH | E17 | | | | | | | | | | |
| | 70MH | Par30 ⁷ | | | | | | | | | | |
| | 100MH | Par38 ⁷ | | | | | | | | | | |
| | 70MH | T6 | | | | | | | | | | |
| | Incandescent | | | | | | | | | | | |
| | 100INC | Par38 ⁷ | 120 | | | | | | | | | |
| | 100INC | T4mini | 120 | | | | | | | | | |

¹ SPT optics available for E17 and T6 lamps only.
² The Wall Wash optical package comes with a dedicated wall wash lens and uses FLD optics.
³ Powder coat painted standard.
⁴ These options are supplied in heavy wall cast aluminum with powder coat painted finish.
⁵ Consult factory for other voltages.
⁶ Consult factory for other finishes.
⁷ Does not require internal optics, select from available lamp manufacturers optics.

Note: E17 Lamps 100W and below are medium base. CFT = triple biax

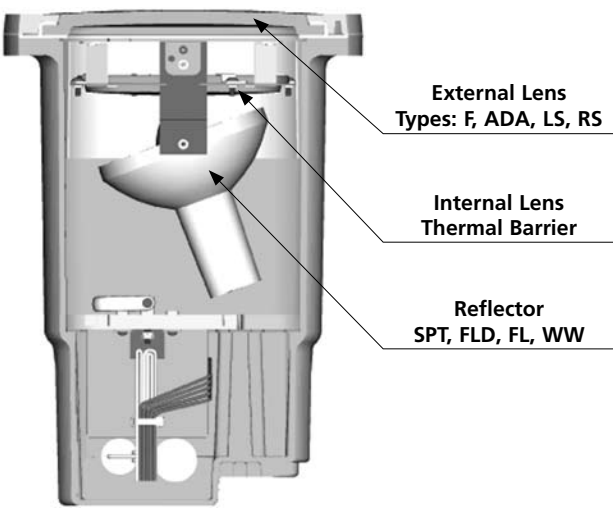
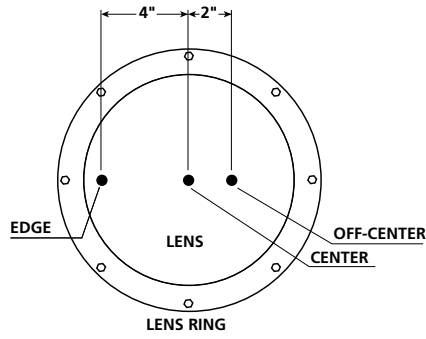
Example: SL-43HPBB-70MH-E17-277-SPT-F-BK

Luminaire Lens Temperatures

| Luminaire | Center | | Off-Center | | Edge | |
|---------------------|--------|------|------------|------|------|------|
| | °C | °F | °C | °F | °C | °F |
| SL-43HPBB-70MH-SPT | 62° | 144° | 58° | 137° | 47° | 117° |
| SL-43HPBB-70MH-FLD | 65° | 149° | 61° | 142° | 50° | 122° |
| SL-43HPBB-100MH-SPT | 80° | 176° | 77° | 171° | 59° | 138° |
| SL-43HPBB-100MH-FLD | 86° | 187° | 77° | 171° | 60° | 140° |

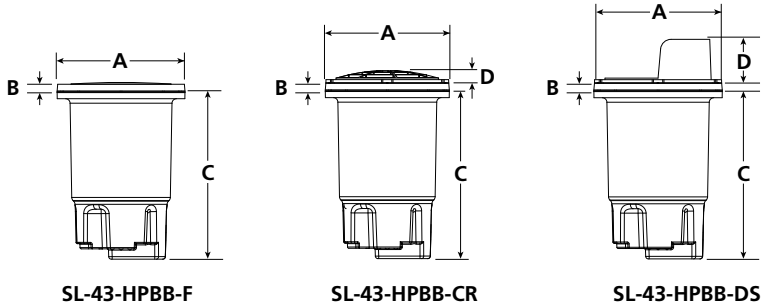
Note: All temperatures are maximum relative to 23° C ambient.

Consult factory for details of the temperature test and a copy of the test report.



Luminaire Dimensions

| Luminaire | A | | B | | C | | D | | Weight | |
|--------------|-------|-----|------|----|-------|-----|------|-----|--------|------|
| | Inch | mm | Inch | mm | Inch | mm | Inch | mm | lbs. | kg |
| SL-43HPBB-F | 12.25 | 311 | 0.80 | 20 | 16.00 | 405 | N/A | N/A | 31 | 13.6 |
| SL-43HPBB-CR | 12.25 | 311 | 0.80 | 20 | 16.00 | 405 | 1.20 | 30 | 32 | 14.1 |
| SL-43HPBB-DS | 12.25 | 311 | 0.80 | 20 | 16.00 | 405 | 4.20 | 107 | 33 | 14.5 |



TS