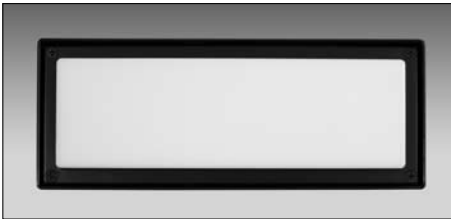


SP

Corridors
Walkways
Accent and
General Lighting



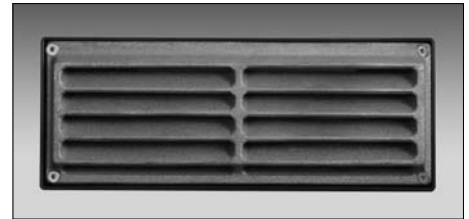
SP-201



SP-200



SP-203



SP-204

Specifications

ETL cETL ADA IP66

Certifications The fixture shall be ETL and cETL listed to U.S. and Canadian safety standards for wet locations and concrete pour. IP66 rated dust-tight and sealed against direct jets of water. The fixture shall meet ADA requirements.

Housing The housing is recessed, water-tight, die-cast, copper free aluminum for corrosion resistance in concrete applications. Includes four 1/2" NPT conduit entries for through wiring. Provision for thermal protection is supplied.

Ballast The ballast for 18W CF shall be electronic 50 or 60 Hz. The ballasts for 9 and 13W CF shall be class B core and coil HPF rated for 0° starting temperature. 120/12 step-down transformer is core and coil isolated primary to secondary. 95% efficiency rating, sound rating "A". All ballasts are factory wired and tested and mounted on a removable tray.

Lens / Optics The SP-200 lens is opal polycarbonate with color-impregnated polycarbonate to finish to match fixture. The lens shall be frosted tempered glass for all other fixtures. Symmetric reflector is precision formed with white reflective coating.

Trim Ring / Face Plate The SP-200/201 trim ring is of a die-cast, copper-free aluminum for superior corrosion resistance. The SP-200/201 face plate is die-cast aluminum.

The SP-203/204 trim ring is of polycarbonate, color-impregnated with dark bronze finish. The face plates are natural cast bronze.

All fixtures use a silicone gasket ensuring a positive watertight seal, louver provides 45° shielding.

Finish BK-BZ-WH-GR-GY-NA is thermoset polyester powdercoat which is electrostatically applied and bonded by heat fusion thermosetting. CC available upon request. **Back box trim must be painted to match the face plate.** CC may delay pre-shipment.

PROJECT
FIXTURE TYPE
CATALOG#

SP-200/201 203/204

 Some luminaires use fluorescent or high intensity discharge (HID) lamps that contain small amounts of mercury. Such lamps are labeled "Contains Mercury" and/or with the symbol "Hg." Lamps that contain mercury must be disposed of in accordance with local requirements. Information regarding lamp recycling and disposal can be found at www.lamprecycle.org

Product Order Guide

Series	Max Watts	Lamp Type	Voltage ³	Finish ³	Options
SP-200/201	9 CF ²	CF	120/277	BK Black	P ¹ Thermal Protector
203/204	13 CF ²	CF	120/12 or 12	BZ Bronze	MM Masonry Mounting Kit
	18 CF ²	CF	120	WH White	NS New Stud Wall Mounting Kit
	(2)18 LV	S8		GR Green	ES Existing Hollow Wall Mounting Kit
	40 INC	T10		GY Gray	
				NA Natural Alum	
				CC Custom	

SP-203/204 Cast Bronze

LED

3x1 3000K Warm White (WW) or 5500K Cool White (CW) Luxeon® (120V only)
 5x1 3000K Warm White (WW) or 5500K Cool White (CW) Luxeon® (120V only)

1 Thermal protector is required for installations in drywall, plaster, wood or other non-masonry materials with the exception of fluorescent and LED lamping and must be ordered as an option.

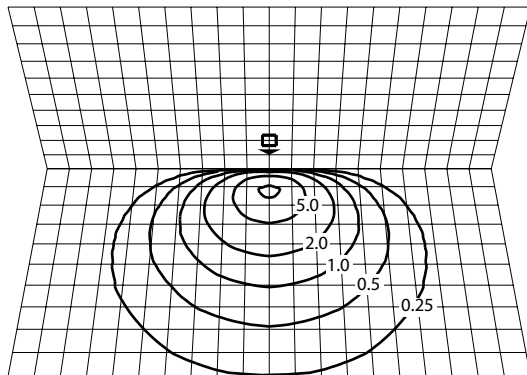
2 Compact fluorescent lamp base options: 9W CF-G23, 13W 120V CF-GX23-2, 13W 277V G24Q-1, 18W CF-G24Q-2.

3 Consult factory for other colors and voltages.

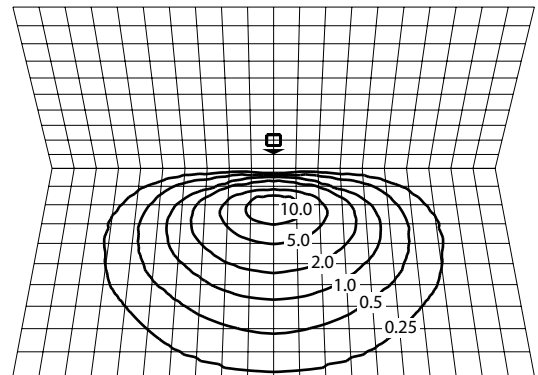
Example: SP-200-18CF-120-BK-P-NS

Photometric Data

SP-200-18CF
 1075 Initial Lumens
 1.0 ft Mounting Height, 0.5 ft. grid
 Value in footcandles



SP-201-18CF
 1075 Initial Lumens
 1.0 ft Mounting Height, 0.5 ft. grid
 Value in footcandles



Luminaire Dimensions

Luminaire	A		B		C		D		E		Weight	
	Inch	mm	Inch	mm	Inch	mm	Inch	mm	Inch	mm	lbs.	kg
SP-200	9.00	229	3.50	90	3.50	90	0.69	17	4.19	106	3.64	1.6
SP-201	9.00	229	3.50	90	3.50	90	1.00	25	4.50	114	3.64	1.6
SP-203	9.00	229	3.50	90	3.50	90	1.00	25	4.50	114	3.64	1.6
SP-204	9.00	229	3.50	90	3.50	90	1.00	25	4.50	114	3.64	1.6

