

INSTALLATION SHEET

SP

Safety, Warnings and Suggestions

- ¹ **Avoid** installing fixtures in locations where water collects and stands for prolonged periods.
- ² **Make** sure that electrical power is disconnected before any work is performed.
- ³ **All** wiring and installation should meet local, state and national electrical codes.



SP-206 SP-207



SP-200



SP-201



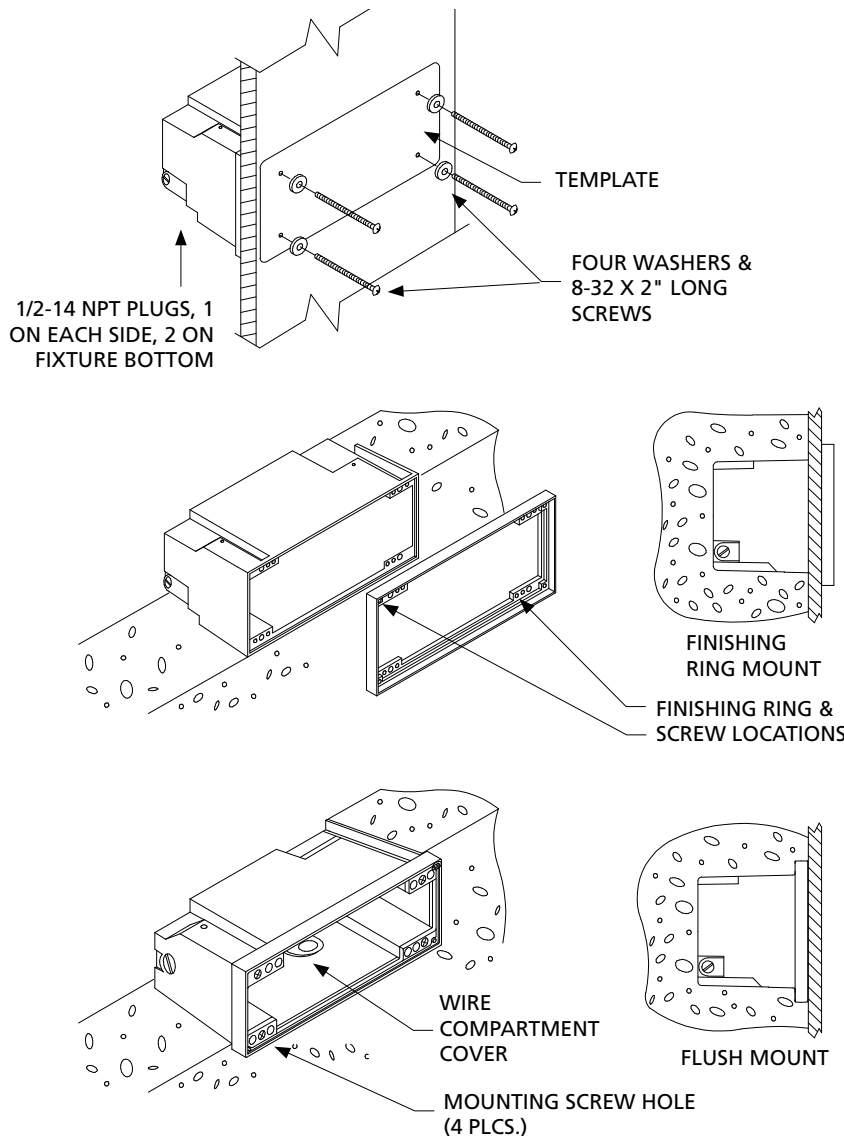
SP-203



SP-204

© 2005 - 2009 ALLSCAPE. All rights reserved.
 ALLSCAPE is a registered trademark of Philips.

Due to a program of continuous improvement, ALLSCAPE reserves the right to make any variation in design or construction to the equipment described.



1. Level supplied template on wood support frame and drill designated 3/16" diameter clearance holes.
2. Remove the 1/2" NPT plugs from the sides/bottom of the housing and pull the supply wire through into the housing.
3. Install the plastic protective shield (if supplied) into the housing and be sure all unused electrical plugs are replaced. Finishing ring may be removed now and replaced on housing after concrete pour.
4. Secure housing to wood support with screws supplied in hardware packet.
5. Pour concrete.
6. If finishing ring was removed, replace it and tighten flat head screws. If screws are not tight, fixture may leak.

INSTALLATION SHEET

Safety, Warnings and Suggestions

- ¹ **Avoid** installing fixtures in locations where water collects and stands for prolonged periods.
- ² **Make** sure that electrical power is disconnected before any work is performed.
- ³ **All** wiring and installation should meet local, state and national electrical codes.



SP-206

SP-207



SP-200



SP-201



SP-203

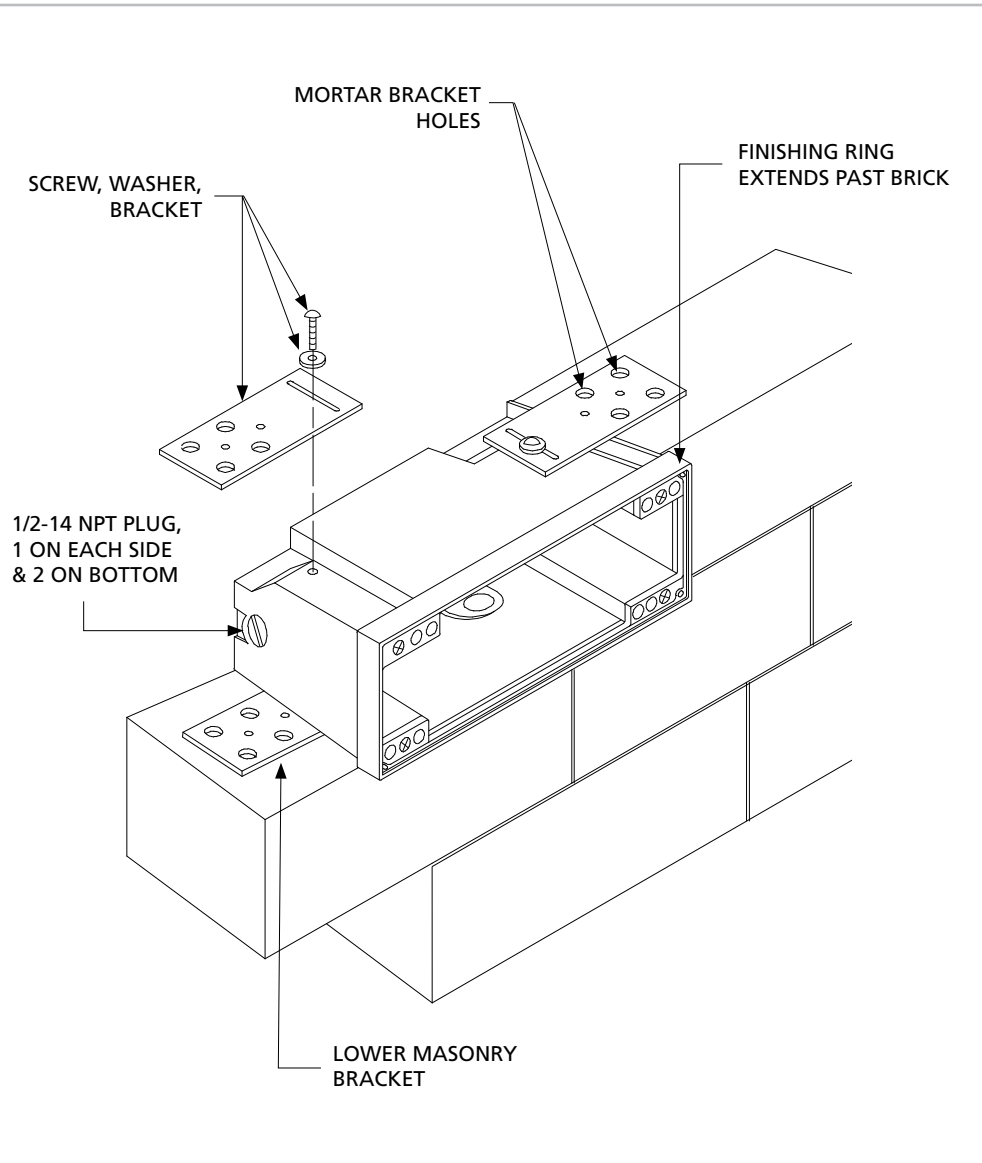


SP-204

#32A52317

© 2005 - 2009 ALLSCAPE. All rights reserved.
 ALLSCAPE is a registered trademark of Philips.

Due to a program of continuous improvement, ALLSCAPE reserves the right to make any variation in design or construction to the equipment described.



1. Install two screws through washers and lower masonry brackets into tapped housing holes on bottom of fixture.
2. Remove the 1/2" NPT plugs from the side/bottom of the housing and pull the supply wire through and into the housing.
3. Press fixture and lower masonry brackets into layer of mortar so that the mortar penetrates through the holes of the masonry bracket.
4. After laying another course of blocks, install the two upper masonry brackets onto the housing as in step 1.

INSTALLATION PREPARATION INSTALLATION SHEET

Safety, Warnings and Suggestions

- ¹ **Avoid** installing fixtures in locations where water collects and stands for prolonged periods.
- ² **Make** sure that electrical power is disconnected before any work is performed.
- ³ **All** wiring and installation should meet local, state and national electrical codes.



SP-206 SP-207



SP-200



SP-201



SP-203

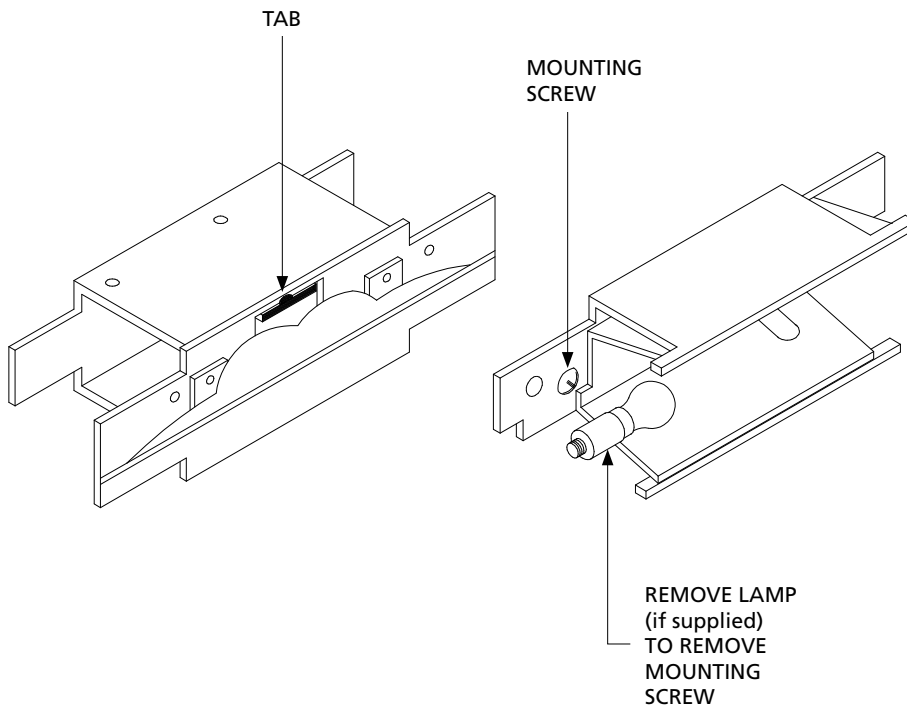


SP-204

P#32A52318

© 2005 - 2009 ALLSCAPE. All rights reserved.
 ALLSCAPE is a registered trademark of Philips.

Due to a program of continuous improvement, ALLSCAPE reserves the right to make any variation in design or construction to the equipment described.



1. Remove unit from carton. Remove lens, reflector assembly and electrical chassis. Remove screw or depress tab as required as shown in the illustration.

2. Install rough-in housing per NEC and local electrical codes. For internal or external, new or existing, plasterboard or wood installation, a thermal protector is required and insulation is to be a minimum of six inches from sides of housing. Install thermal protector by removing 1 inch snap-in plug and pushing protector into hole.

3. Thermal protection is not required for masonry or brick installations. Thermal protection is also not required for fluorescent lampings.

4. Re-assemble fixture.

Caution: Turn power on only when fixture is completely re-assembled. Always turn power off when re-lamping or servicing fixture.

INSTALLATION SHEET

Safety, Warnings and Suggestions

- ¹ **Avoid** installing fixtures in locations where water collects and stands for prolonged periods.
- ² **Make** sure that electrical power is disconnected before any work is performed.
- ³ **All** wiring and installation should meet local, state and national electrical codes.



SP-206

SP-207



SP-200



SP-201



SP-203

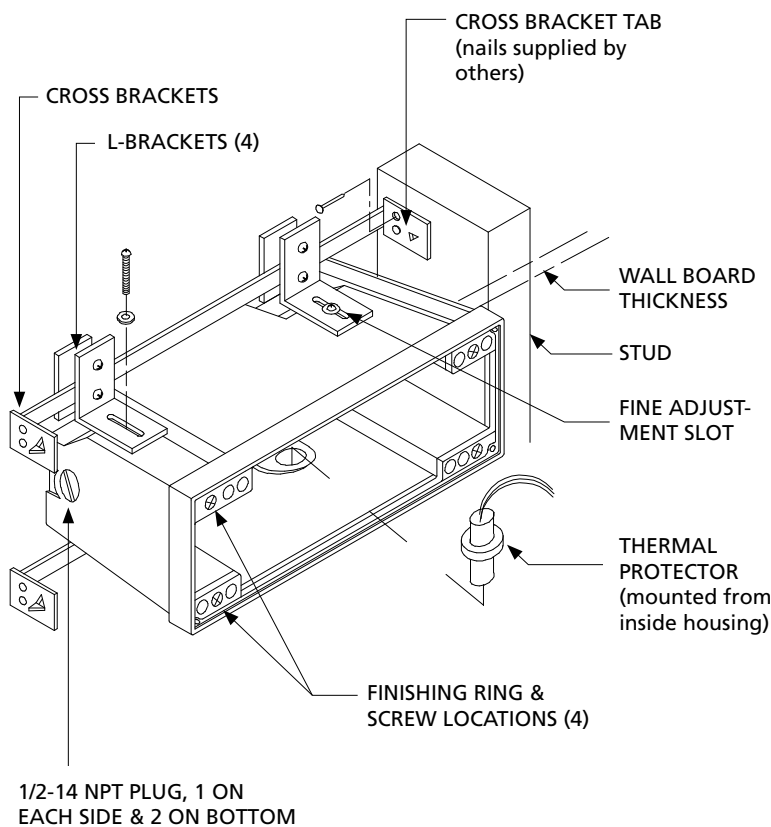


SP-204

P#32A52318

© 2005 - 2009 ALLSCAPE. All rights reserved.
 ALLSCAPE is a registered trademark of Philips.

Due to a program of continuous improvement, ALLSCAPE reserves the right to make any variation in design or construction to the equipment described.



1. Using the template supplied, cut a level hole through the wall board to fit around the fixture housing. Failure to level hole will cause the fixture to have a tilted appearance.

2. Mount L-brackets onto housing 4 places with screw positioned in center of slot and insert cross brackets through the L-brackets on top and bottom of housing.

3. Position fixture so that the back of the finishing ring extends past the studs the thickness of the wallboard.

4. Level fixture and hammer tabs on cross brackets into studs, then nail brackets securely to studs.

5. Fine adjust fixture position and tighten all loose screws.

6. Remove the 1/2" NPT plugs from the side/bottom of the housing and pull supply wire through the housing.

7. Remove finishing ring by removing four flat head screws. Install wall board.

8. Replace finishing ring.

9. Install thermal protector (attached to electrical chassis.)

INSTALLATION SHEET

Safety, Warnings and Suggestions

- ¹ **Avoid** installing fixtures in locations where water collects and stands for prolonged periods.
- ² **Make** sure that electrical power is disconnected before any work is performed.
- ³ **All** wiring and installation should meet local, state and national electrical codes.



SP-206 SP-207



SP-200



SP-201



SP-203

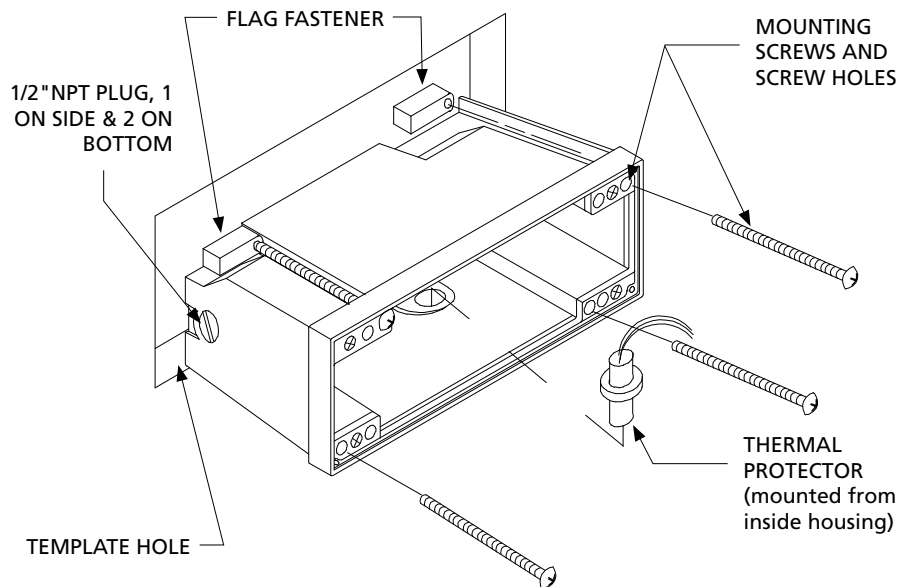


SP-204

P#32A52319

© 2005 - 2009 ALLSCAPE. All rights reserved.
 ALLSCAPE is a registered trademark of Philips.

Due to a program of continuous improvement, ALLSCAPE reserves the right to make any variation in design or construction to the equipment described.



1. Using the template supplied, cut a level hole through the existing wall between existing studs. Failure to level hole will cause the fixture to have a tilted appearance.
2. Push the four mounting screws through the housing holes and into rear channels. (note: thin membrane covers the housing holes and may require forcing the screws through to penetrate the membrane).
3. Place flags flat on rear of housing and thread screws into flags until the screws are completely through the flags.
4. Remove the 1/2" NPT plugs from the side/bottom of the housing and pull the supply wire through into the housing.
5. Push housing into the hole in the wall and tighten the four mounting screws until the flag fasteners have drawn tightly against the rear surface of the wall.
6. Install thermal protector (attached to electrical chassis.)