

SP

**Corridors**  
**Walkways**  
**Accent and**  
**General Lighting**



SP-206



SP-207

### Specifications

UL cUL ADA IP66

- Certifications** The fixture shall be UL listed to U.S. and Canadian safety standards for wet locations and concrete pour. IP66 rated dust-tight and sealed against direct jets of water. The fixture shall meet ADA requirements.
- Housing** The housing is recessed, water-tight, die-cast, copper free aluminum for corrosion resistance in concrete applications. Includes four 1/2" NPT conduit entries for through wiring. Provision for thermal protection is supplied.
- Ballast** The ballast for 18W CF shall be electronic 50 or 60 Hz. The ballasts for 9 and 13W CF shall be class B core and coil HPF rated for 0° starting temperature. 120/12 step-down transformer is core and coil isolated primary to secondary. 95% efficiency rating, sound rating "A". All ballasts are factory wired and tested and mounted on a removable tray.
- Lens / Optics** The lens shall be frosted tempered glass for both fixtures. Symmetric reflector is precision formed with white reflective coating.
- Trim Ring / Face Plate** SP-206 trim ring and face plate are die-cast, copper-free aluminum for superior corrosion resistance.  
 The SP-207 trim ring is polycarbonate, color impregnated with a dark bronze finish. Face plate is natural cast bronze.  
 Both are supplied with a silicone gasket ensuring a positive watertight seal. Louvers provide 45° shielding.
- Finish** BK-BZ-WH-GR-GY-NA is thermoset polyester powdercoat which is electrostatically applied and bonded by heat fusion thermosetting. CC available upon request. **Back box trim must be painted to match the face plate.** CC may delay pre-shipment.

<b>PROJECT</b>
<b>FIXTURE TYPE</b>
<b>CATALOG#</b>



Some luminaires use fluorescent or high intensity discharge (HID) lamps that contain small amounts of mercury. Such lamps are labeled "Contains Mercury" and/or with the symbol "Hg." Lamps that contain mercury must be disposed of in accordance with local requirements. Information regarding lamp recycling and disposal can be found at [www.lamprecycle.org](http://www.lamprecycle.org)

## Product Order Guide

Series	Max Watts	Lamp Type	Voltage <sup>2</sup>	Finish <sup>2</sup>	Options
SP-206/207	18 CF <sup>3</sup> (2)18 LV 40 INC	CF S8 T10	120/277 120/12 or 12 120	SP-206 BK Black BZ Bronze WH White GR Green GY Gray NA Natural Alum CC Custom	P1 Thermal Protector MM Masonry Mounting Kit NS New Stud Wall Mounting Kit ES Existing Hollow Wall Mounting Kit
	<b>LED</b>			SP-207 Cast Bronze	
	3x1	3000K Warm White (WW) or 5500K Cool White (CW) Luxeon® (120V only)			
	5x1	3000K Warm White (WW) or 5500K Cool White (CW) Luxeon® (120V only)			

1 Thermal protector is required for installations in drywall, plaster, wood or other non-masonry materials with the exception of fluorescent and LED lamping and must be ordered as an option.

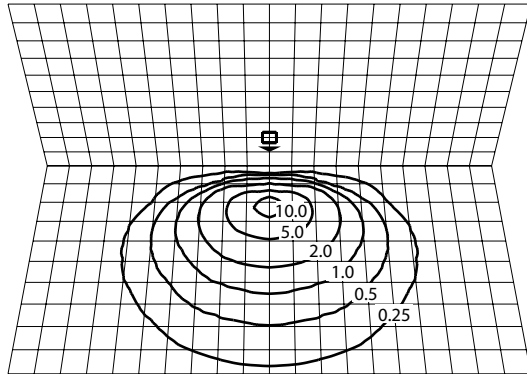
2 Consult factory for other colors and voltages.

3 Compact fluorescent lamp base options: 9W CF-G23, 13W 120V CF-GX23-2, 13W 277V G24Q-1, 18W CF-G24Q-2.

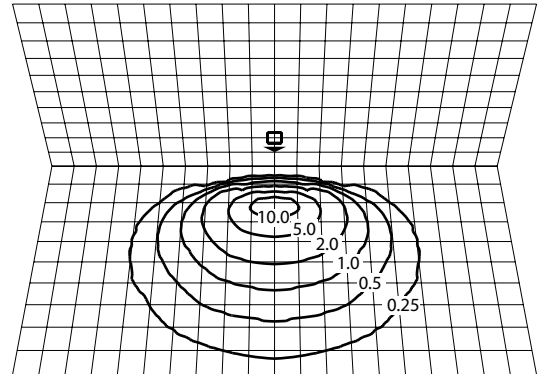
## Example: SP-203-18CF-120-WH-P-NS

## Photometric Data

SP-206-18CF  
1075 Initial Lumens  
1.0 ft Mounting Height, 0.5 ft. grid  
Value in footcandles



SP-207-18CF  
1075 Initial Lumens  
1.0 ft Mounting Height, 0.5 ft. grid  
Value in footcandles



## Luminaire Dimensions

Luminaire	A		B		C		D		E		Weight	
	Inch	mm	Inch	mm	Inch	mm	Inch	mm	Inch	mm	lbs.	kg
SP-206	9.00	229	3.50	90	3.50	90	1.00	25	4.50	114	3.64	1.6
SP-207	9.00	229	3.50	90	3.50	90	1.00	25	4.50	114	3.64	1.6

