

### INSTALLATION SHEET

#### Safety, Warnings and Suggestions

- <sup>1</sup> **Avoid** installing fixtures in locations where water collects and stands for prolonged periods.
- <sup>2</sup> **Make** sure that electrical power is disconnected before any work is performed.
- <sup>3</sup> **All** wiring and installation should meet local, state and national electrical codes.

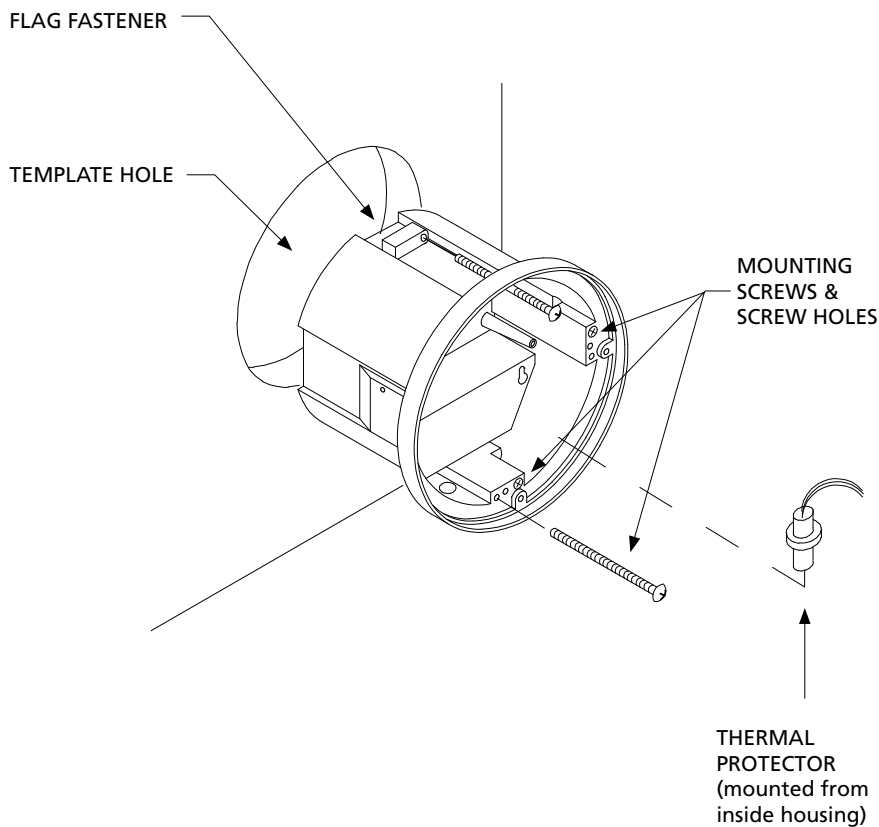


SP-210

P#32A52350

© 2005 - 2009 ALLSCAPE. All rights reserved.  
ALLSCAPE is a registered trademark of Philips.

Due to a program of continuous improvement, ALLSCAPE reserves the right to make any variation in design or construction to the equipment described.



1. Using the template, cut a level hole through the existing wall between existing studs. Failure to level hole will cause the fixture to have a tilted appearance.
  2. Push the two mounting screws through the housing holes and into channels as shown. (note: thin membrane covers the housing holes and may require forcing the screws through to penetrate membrane.)
  3. Place flags flat on rear of housing and thread screws into flags until the screws are completely through the flags.
  4. Remove the 1/2" NPT plugs from the sides/bottom of the housing and pull the supply wire through into the housing.
  5. Push housing into hole in the wall and tighten the mounting screws until the flag fasteners have drawn tightly against the rear surface of the wall.
  6. Install thermal protector (attached to electrical chassis).
- note: factory recommends using two kits when installing larger step light in drywall.

### INSTALLATION SHEET

#### Safety, Warnings and Suggestions

- <sup>1</sup> **Avoid** installing fixtures in locations where water collects and stands for prolonged periods.
- <sup>2</sup> **Make** sure that electrical power is disconnected before any work is performed.
- <sup>3</sup> **All** wiring and installation should meet local, state and national electrical codes.

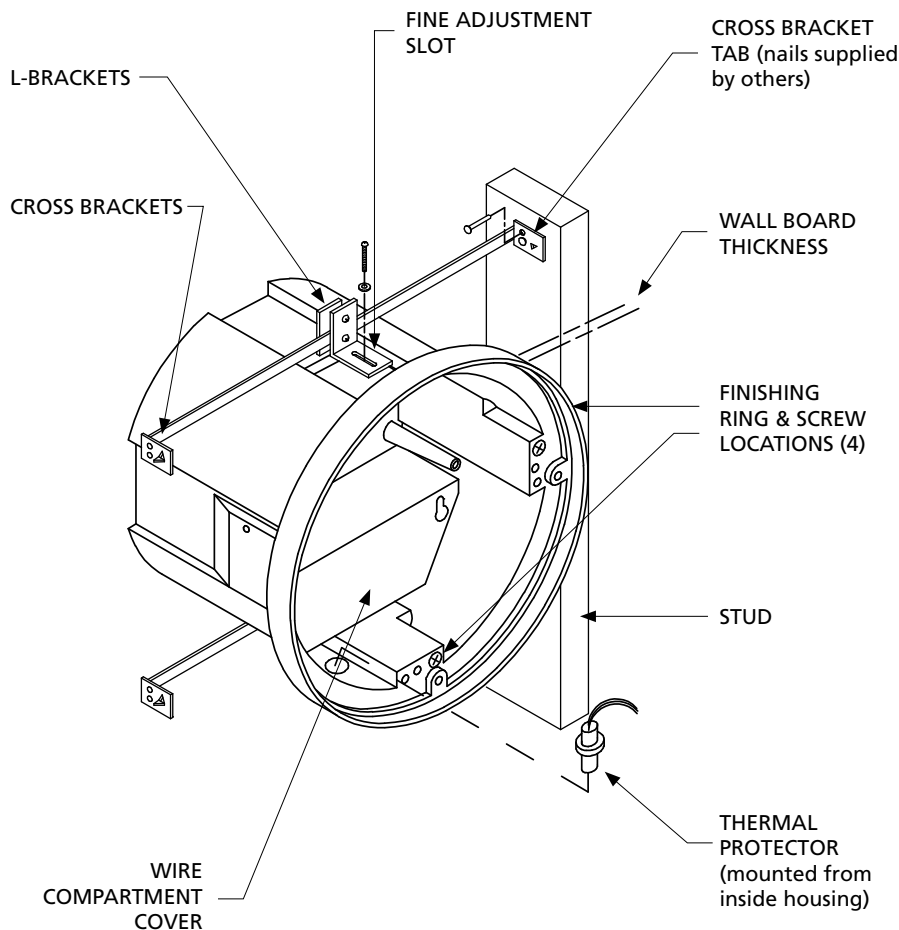


SP-210

P#32A52353

© 2005 - 2009 ALLSCAPE. All rights reserved.  
 ALLSCAPE is a registered trademark of Philips.

Due to a program of continuous improvement, ALLSCAPE reserves the right to make any variation in design or construction to the equipment described.



1. Using template, cut a level hole through the wall board to fit around the fixture housing.
2. Mount L-brackets onto top and bottom of housing with screws positioned in center of slots and insert cross brackets through L-brackets.
3. Position the fixture so that the back of the finishing ring extends past the studs by the thickness of the wall board.
4. Level fixture and hammer tabs on cross brackets into studs, then nail brackets securely to studs.
5. Fine adjust fixture position and tighten any loose screws.
6. Remove the 1/2" NPT plugs from the sides/bottom of the housing and pull the supply wire through the housing.
7. Remove finishing ring by removing flat head phillips screws. Install wall board.
8. Replace finishing ring.
9. Install thermal protector, (attached to electrical housing) screw and push wiring compartment into housing.

### INSTALLATION SHEET

#### Safety, Warnings and Suggestions

- <sup>1</sup> **Avoid** installing fixtures in locations where water collects and stands for prolonged periods.
- <sup>2</sup> **Make** sure that electrical power is disconnected before any work is performed.
- <sup>3</sup> **All** wiring and installation should meet local, state and national electrical codes.

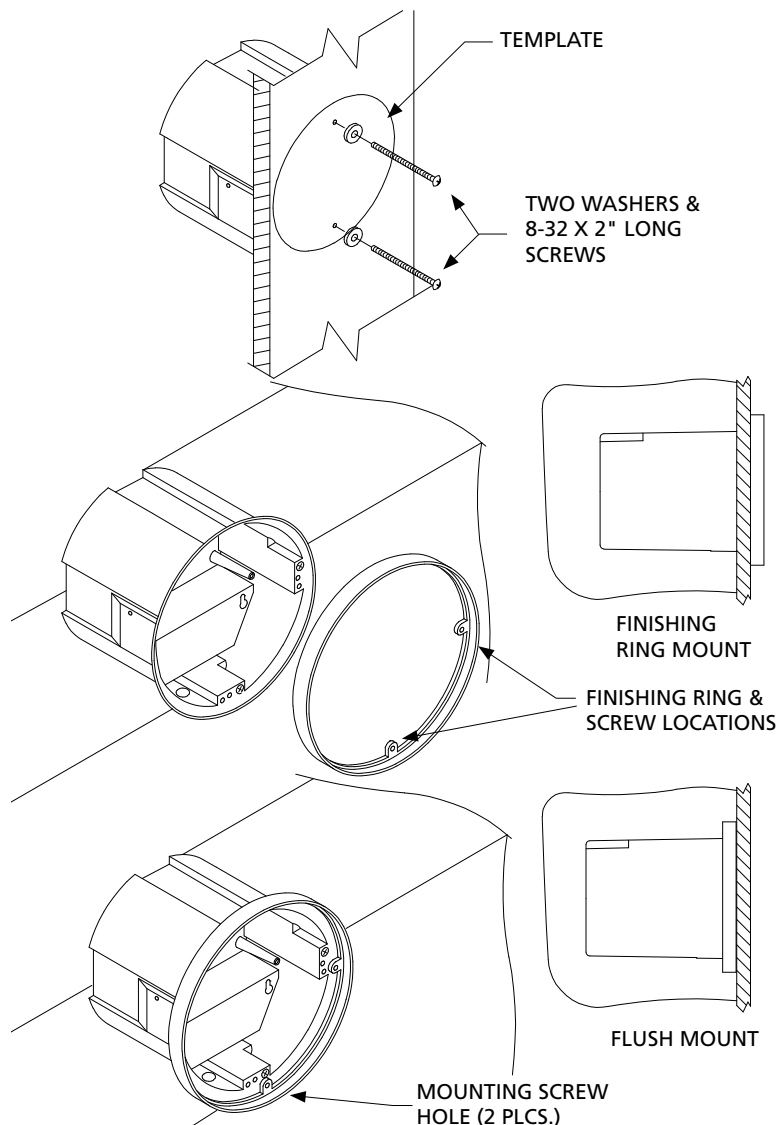


SP-210

P#32A52348

© 2005 - 2009 ALLSCAPE. All rights reserved.  
 ALLSCAPE is a registered trademark of Philips.

Due to a program of continuous improvement, ALLSCAPE reserves the right to make any variation in design or construction to the equipment described.



1. Level supplied template on wood support frame and drill designated 3/16" diameter clearance holes.

2. Remove the 1/2" NPT plugs from the sides/bottom of the housing and pull the supply wire through into the housing.

3. Install the plastic protective shield (if supplied) into the housing and be sure all unused electrical plugs are replaced. Finishing ring may be removed now and replaced on housing after concrete pour.

4. Secure housing to wood support with screws supplied in hardware packet.

5. Pour concrete.

6. If finishing ring was removed, replace it and tighten flat head screws. If screws are not tight, fixture may leak.

### INSTALLATION SHEET

#### Safety, Warnings and Suggestions

- <sup>1</sup> **Avoid** installing fixtures in locations where water collects and stands for prolonged periods.
- <sup>2</sup> **Make** sure that electrical power is disconnected before any work is performed.
- <sup>3</sup> **All** wiring and installation should meet local, state and national electrical codes.

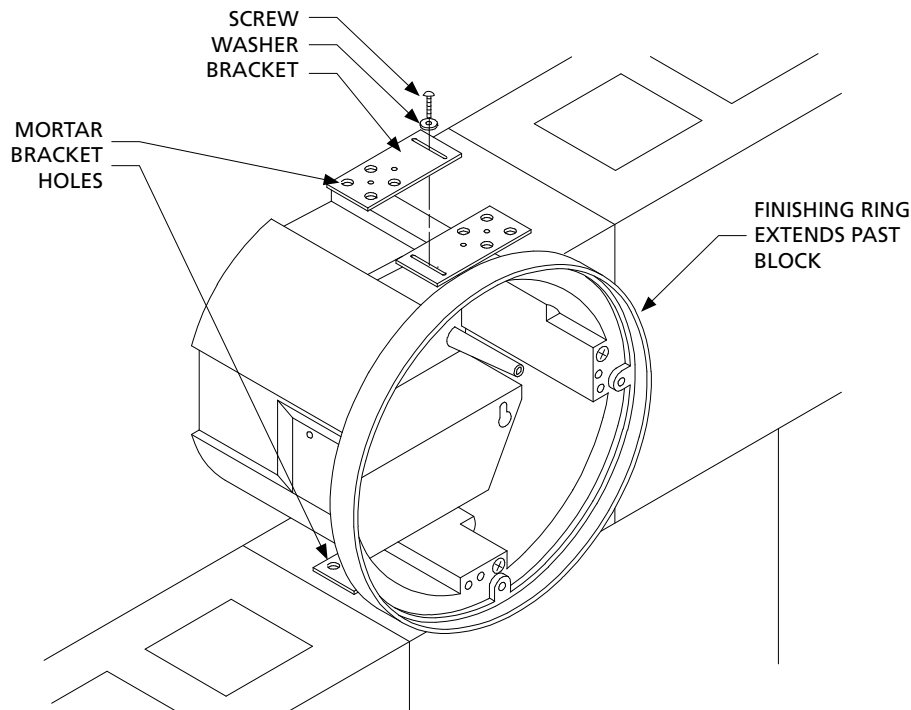


SP-210

P#32A52346

© 2005 - 2009 ALLSCAPE. All rights reserved.  
ALLSCAPE is a registered trademark of Philips.

Due to a program of continuous improvement, ALLSCAPE reserves the right to make any variation in design or construction to the equipment described.



1. Install screw through washer, lower masonry brackets, and into the tapped housing hole on bottom of fixture.
2. Remove the 1/2" NPT plugs from the sides/bottom of housing and pull the supply wire through into the housing. (Through wiring is not recommended for mini round step lights).
3. Press fixture and lower masonry brackets into layer of mortar so that the mortar comes through the holes of the masonry brackets.
4. After laying another course of blocks, install the two upper masonry brackets onto the housing as in step 1.