

SP

- Corridors
- Walkways
- Accent and
- General Lighting



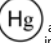
### Specifications

UL cUL ADA

- Certifications** The fixture shall be UL listed to U.S. and Canadian safety standards for wet locations and concrete pour. The fixture shall meet ADA requirements.
- Housing** The housing is recessed, water-tight, die-cast, copper free aluminum for corrosion resistance in concrete applications. Includes four 1/2" NPT conduit entries and ample wiring compartment for through wiring. Provision for thermal protection is supplied.
- Ballast** HID ballasts are HPF core and coil. Fluorescent ballasts 26/32/42 watt CF are electronic, universal voltage 120-277V, 50 or 60 Hz. All ballasts are factory wired and tested, mounted to a removable tray with quick disconnects, HPF.
- Lens / Optics** Specular aluminum segmented reflector assembly. Frosted lens is tempered glass, louvered fixtures have clear tempered glass.
- Trim Ring / Face Plate** SP-214/215 trim ring and SP-215 face plate are die-cast, copper-free aluminum for superior corrosion resistance. The SP-214 face plate is cast bronze.
- The SP-216/217 trim ring is polycarbonate, color-impregnated dark bronze finish. The face plate is natural cast bronze with finish to match fixture.
- Fixtures are supplied with a silicone gasket ensuring a positive, watertight seal. Louver provides 45° shielding.
- Finish** SP-214/215 is available in BK-BZ-WH-GR-GY-NA. Thermoset polyester powdercoat electrostatically applied and bonded by heat fusion thermosetting. CC available upon request. **Back box trim must be painted to match the face plate.** CC may delay pre-shipment.

<b>PROJECT</b>
<b>FIXTURE TYPE</b>
<b>CATALOG#</b>

# SP-214/215 216/217

 Some luminaires use fluorescent or high intensity discharge (HID) lamps that contain small amounts of mercury. Such lamps are labeled "Contains Mercury" and/or with the symbol "Hg." Lamps that contain mercury must be disposed of in accordance with local requirements. Information regarding lamp recycling and disposal can be found at [www.lamprecycle.org](http://www.lamprecycle.org)

## Product Order Guide

Series	Max Watts	Lamp Type	Voltage <sup>2</sup>		Finish <sup>2</sup>	Options
SP-214/215	70 MH	E-17	120	SP-214/215	BK Black	P1 Thermal Protector
216/217	70 HPS	E-17	277		BZ Bronze	MM Masonry Mounting Kit
	42 CF <sup>3</sup>	CF			WH White	NS New Stud Wall Mounting Kit
					GR Green	ES Existing Hollow Wall Mounting Kit
	50 LV <sup>4</sup>	T4	120/12		GY Gray	
	60 INC	A19	120		NA Natural Alum.	
				SP-216/217	CC Custom	
					Cast Bronze	

1 Thermal protector is required for installations in drywall, plaster, wood or other non-masonry materials with the exception of fluorescent and LED lamping and must be ordered as an option.

2 Consult factory for other colors and voltages.

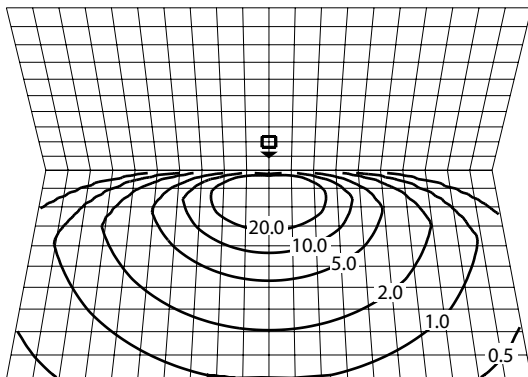
3 Compact fluorescent lamp base options: 26W CF-GX24q-3, 32W CF-GX24q-3, 42W CF-GX24q-4.

4 T4 base is GY6.35.

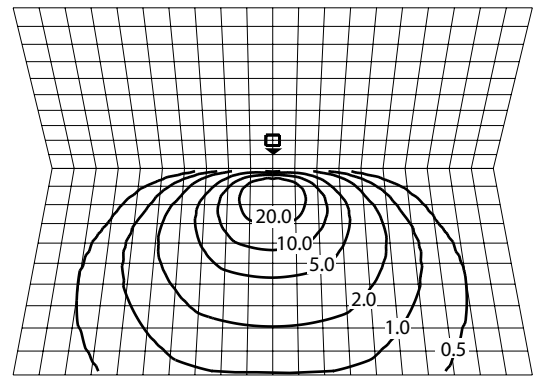
## Example: SP-215-70MH-120-BK-P-NS

### Photometric Data

SP-214-70MH  
5900 Initial Lumens  
2.0 ft Mounting Height, 1ft. grid  
Value in footcandles



SP-214-42CF  
2750 Initial Lumens  
2.0 ft Mounting Height, 1ft. grid  
Value in footcandles



### Luminaire Dimensions

Luminaire	A		B		C		D		E		Weight	
	Inch	mm	Inch	mm	Inch	mm	Inch	mm	Inch	mm	lbs.	kg
SP-214	12.36	314	8.34	212	5.75	146	0.67	17	6.41	163	8.0	3.6
SP-215	12.36	314	8.34	212	5.75	146	1.10	28	6.85	174	8.0	3.6
SP-216	12.36	314	8.34	212	5.75	146	0.67	17	6.41	163	8.0	3.6
SP-217	12.36	314	8.34	212	5.75	146	1.10	28	6.85	174	8.0	3.6

