

Corridors
Walkways
Accent and
General Lighting

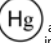


Specifications



- Certifications** The fixture shall be ETL and cETL listed to U.S. and Canadian safety standards for wet locations and concrete pour. The fixture shall meet ADA requirements.
- Housing** The housing is die-cast, copper free aluminum for corrosion resistance in concrete applications. Includes one 1/2" NPT conduit tap on the back and two 3/4" NPT taps on the bottom and one 3/4" NPT on each side for through wiring capability. Provision for thermal protection is supplied.
- Ballast** HID ballasts are HPF core and coil. Fluorescent ballasts 26/32/42 watt CF are electronic, universal voltage 120-277V, 50 or 60 Hz. All ballasts are factory wired and tested, mounted to a removable tray with quick disconnects, HPF.
- Lens / Optics** The lens shall be frosted tempered glass with silicone gasketing. The reflector is constructed of specular aluminum segmented assembly.
- Trim Ring / Face Plate** The trim ring is die-cast copper free aluminum. The face plate is semi-recessed water tight die-cast aluminum with hinges for easy relamping. Attaches with captive, black oxide stainless steel, tamper resistant screws.
- Finish** BK-BZ-WH-GR-GY-NA is thermoset polyester powdercoat which is electrostatically applied and bonded by heat fusion thermosetting. CC available upon request. **Back box trim must be painted to match the face plate.** CC may delay pre-shipment.

PROJECT
FIXTURE TYPE
CATALOG#

 Some luminaires use fluorescent or high intensity discharge (HID) lamps that contain small amounts of mercury. Such lamps are labeled "Contains Mercury" and/or with the symbol "Hg." Lamps that contain mercury must be disposed of in accordance with local requirements. Information regarding lamp recycling and disposal can be found at www.lamprecycle.org

Product Order Guide

Series	Max Watts	Lamp Type	Voltage ⁴	Finish ⁴	Options
SP-220	39 MH	T6	120	BK Black	P ¹ Thermal Protector
	70 MH	T6	208	BZ Bronze	MM Masonry Mounting Kit
	50/70 MH	E-17	220/50Hz ³	WH White	NS New Stud Wall Mounting Kit
	100 MH	E-17		GR Green	ES Existing Hollow Wall Mounting Kit
				GY Gray	QS Quartz Standby (HID only)
	35/50 HPS	E-17	347	NA Natural Alum.	F Fusing
	70/100 HPS	E-17		CC Custom	FF Double Fusing
		26 CFT ²	CFT		
		32 CFT ²	CFT		
		42 CFT ²	CFT		

1 Thermal protector is required for installations in drywall, plaster, wood or other non-masonry materials with the exception of fluorescent and LED lamping and must be ordered as an option.

2 Compact fluorescent lamp base options: 26W CF-GX24q-3, 32W CF-GX24q-3, 42W CF-GX24q-4.

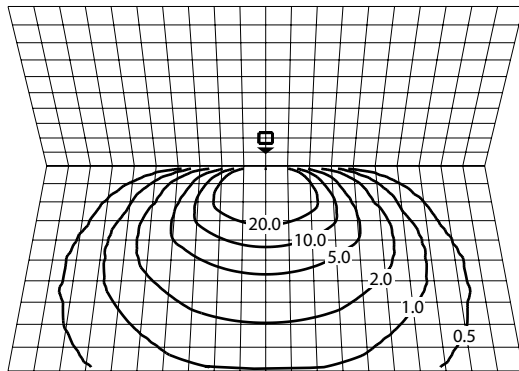
3 Available in 50, 70, 100 HPS and 70, 100 MH only.

4 Consult factory for other colors and voltages.

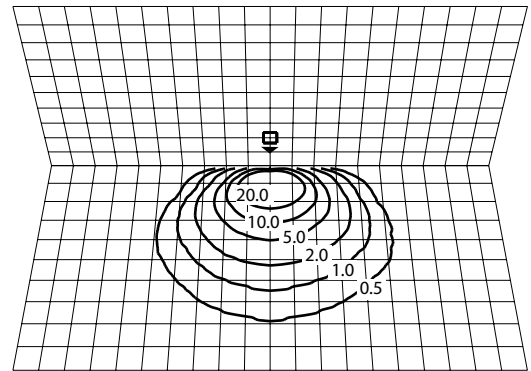
Example: SP-220-100MH-120-BK-P-NS

Photometric Data

SP-220-100MH
9000 Initial Lumens
2.0 ft. Mounting Height, 1.0 ft. grid
Value in footcandles



SP-220-42CF
2475 Initial Lumens
2.0 ft. Mounting Height, 1.0 ft. grid
Value in footcandles



Luminaire Dimensions

Luminaire	A		B		C		D		Weight	
	Inch	mm	Inch	mm	Inch	mm	Inch	mm	lbs.	kg
SP-220	12.00	305	12.00	305	5.40	137	0.60	15	10.0	4.5

