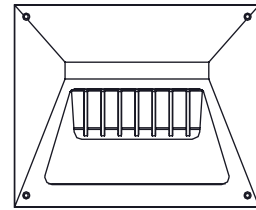
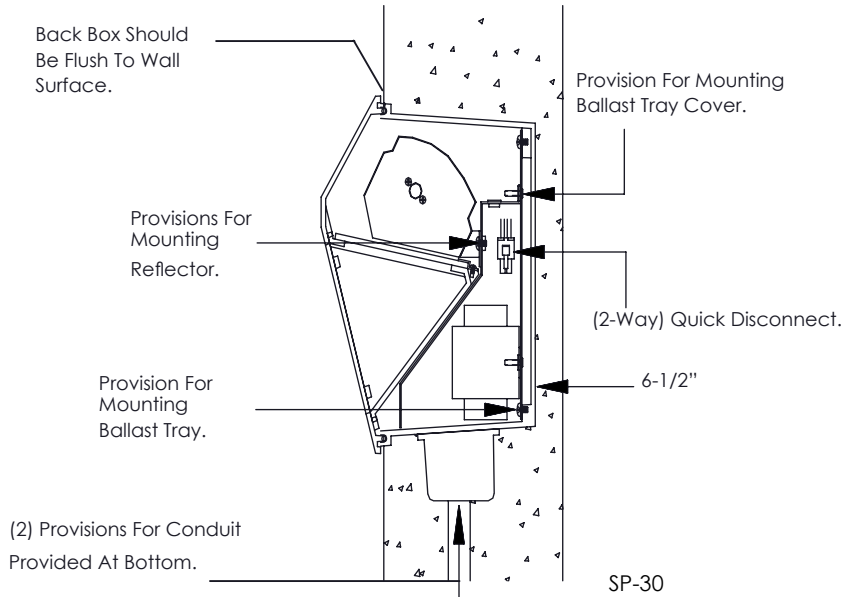
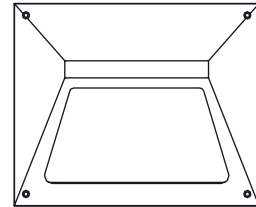


### Safety, Warnings and Suggestions

- <sup>1</sup> **Avoid** installing fixtures in locations where water collects and stands for prolonged periods.
- <sup>2</sup> **Make** sure that electrical power is disconnected before any work is performed.
- <sup>3</sup> **All** wiring and installation should meet local, state and national electrical codes.



SP-30



SP-31

1. Remove face plate, reflector and ballast tray. Make sure all hardware is carefully saved until needed.

2. With back box by itself, connect conduit to the provisions on the bottom of the back box. See illustration for details.

3. Once the conduit has been connected, secure back box to wall opening or any mounting provisions being used to hold box in place. Make sure that back box is flush to wall or to any other mounting provisions being used. See illustration for details.

4. After all preparations to wall have been finished, carefully clean out any dirt left inside of back box.

5. Install and secure ballast tray with hardware provided. Carefully make all necessary connection using UL listed connectors.

6. Install and secure ballast cover or reflector (Depending on fixture) to ballast tray assembly with hardware provided. Refer to illustrations for details. Make sure to connect the 2-way connectors from the reflector assembly to the ballast assembly to insure proper functioning of the lamp. Install proper lamp source as designated on lamp label.

7. Install face plate onto back box by using screws provided. Safely tighten all screws on faceplate to ensure a good seal all around gasket area. Once face plate has been tightened, Make sure it is flush to mounting surface. See illustration for details.

